

C 545BEE

**COMPACT
DISC PLAYER**

C 545BEE

**COMPACT
DISC PLAYER**

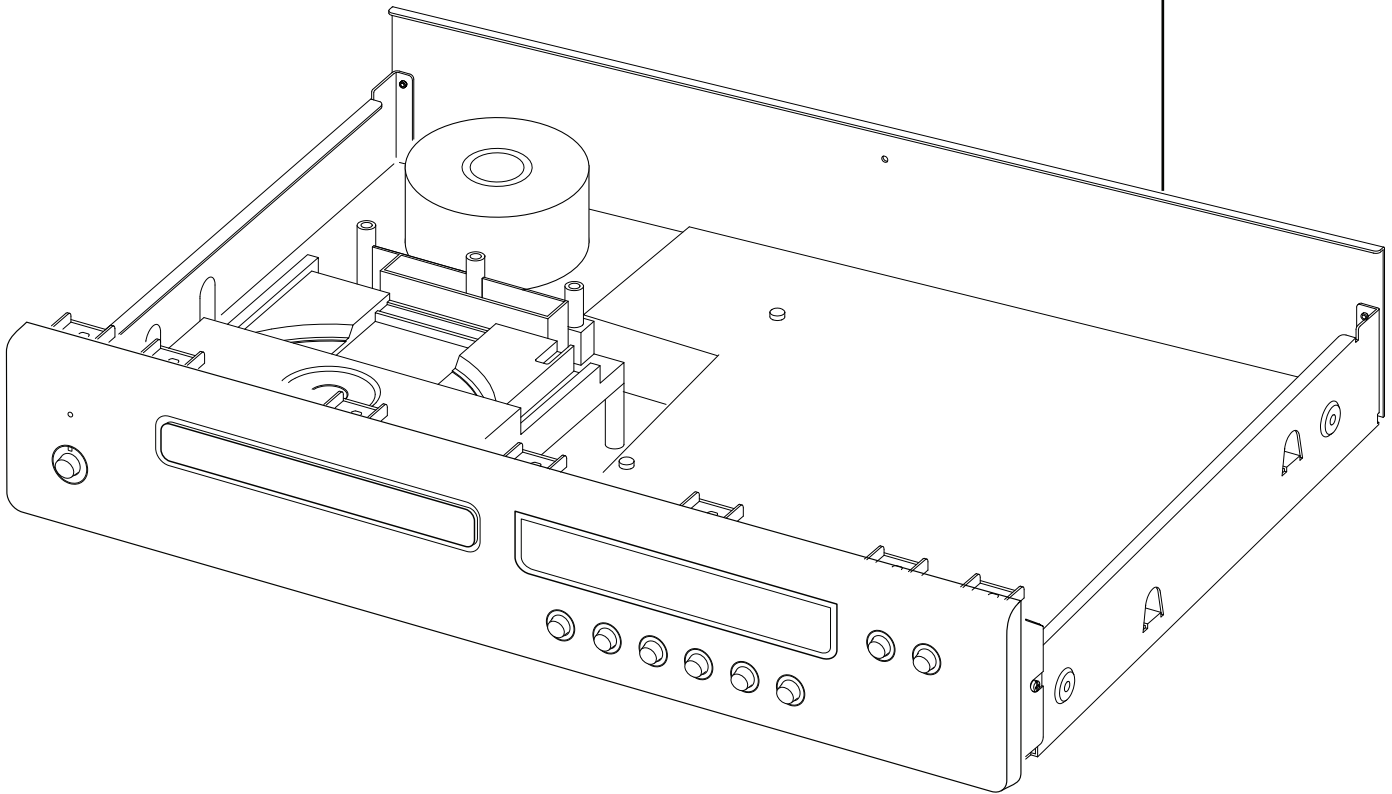
SERVICE MANUAL

NAD

SAFETY INFORMATION

CAUTION

**CLASS 1
LASER PRODUCT**



The lightning flash with arrowhead, within an equilateral triangle is intended to alert the user of the presence of uninsulated "dangerous voltage" within the product's enclosure; that may be of sufficient magnitude to constitute a risk of electric shock to persons.



The exclamation point within an equilateral triangle is intended to alert the user of the presence of important operating and maintenance (servicing) instructions in the literature accompanying the appliance.

THIS DEVICE COMPLIES WITH PART 15 OF THE FCC RULES.
OPERATION IS SUBJECT TO THE FOLLOWING TWO CONDITIONS:-
(1) THIS DEVICE MAY NOT CAUSE HARMFUL INTERFERENCE, AND
(2) THIS DEVICE MUST ACCEPT ANY INTERFERENCE RECEIVED,
INCLUDING INTERFERENCE THAT MAY CAUSE UNDESIRE
OPERATION.

SERVICE SAFETY PRECAUTIONS

1. Replacing the fuses

CAUTION: FOR CONTINUED PROTECTION AGAINST THE RISK OF FIRE REPLACE ONLY WITH SAME TYPE OF FUSE.

Reference No	Part Number	Description
FC201 *C \triangle	5120-0050+0	FUSE T1.6A/250V 5X20
FC201 *AH \triangle	5120-0052+0	FUSE T1.6A 250V 5X20
FC202, FC204, FC205 *C \triangle	5120-0018+0	FUSE T1A 250V 5X20
FC202, FC204, FC205 *AH \triangle	5120-0020+0	FU T1A 250V UL/CSA 5X20
FC203 *C \triangle	5120-0035+0	FU T100MA 250V
FC203 *AH \triangle	5120-0036+0	FUSE 250V 100MA T 5X20

NOTE:

<*AH > : USA, CANADIAN MODEL ONLY.

<*C > : EUROPEAN MODEL ONLY.

2. Safety check out

(Only U.S.A. model)

Before returning the product to the customer, make leakage current or resistance measurements to determine that exposed parts are acceptably insulated from the supply circuit.

Parts marked with the symbol \triangle are critical with regard to the risk of fire and electric shock. Replace only with parts recommended by the manufacturer.

CONTENTS

DESCRIPTION	PAGE
SPECIFICATIONS	4
REAR PANEL / FRONT PANEL	5
DISASSEMBLY INSTRUCTIONS	6
BLOCK DIAGRAM	7
WIRING DIAGRAM	8
RF PATTERN TESTING	9
IMPORTANT NOTES	10-12
PCB LAYOUT	13-16
SCHEMATIC DIAGRAM	17-23
IC BLOCK DIAGRAM	24-31
TROUBLESHOOTING GUIDE	32
ELECTRICAL PARTS LIST	33-44
MECHANISM EXPLODED VIEW	45
MECHANISM EXPLODED VIEW PARTS LIST	46
EXPLODED VIEW	47
EXPLODED VIEW PARTS LIST	48
PACKING DIAGRAM	49

SPECIFICATIONS

GENERAL PARAMETERS

Output level - Analog	2.2 ± 0.1 V
Optical	-22.5 ± 3.5 dBm
Coaxial	650 ± 150 mV
Frequency response	± 0.3 dB (ref. 0 dB 20 Hz-1 kHz) ± 0.5 dB (ref. 0 dB 5 kHz-20 kHz)
Total harmonic distortion	< 0.01% (ref. 1 kHz)
Signal/Noise ratio	118 dB (A-weighted, ref. 1 kHz)
Channel balance	± 0.5 dB (ref. 0dB 1kHz)
Dynamic range	95 dB
Channel separation	> 90 dB
De-emphasis	-3.73 to -5.33 dB (ref. 0dB 5 kHz) -8.04 to -10.04 dB (ref. 0 dB 16 kHz)
Linearity	± 0.01 dB (ref. 1 kHz at -3 dB) ± 0.02 dB (ref. 1 kHz at -6 dB) ± 0.02 dB (ref. 1 kHz at -10 dB) ± 0.05 dB (ref. 1 kHz at -20 dB) ± 0.15 dB (ref. 1 kHz at -60 dB)

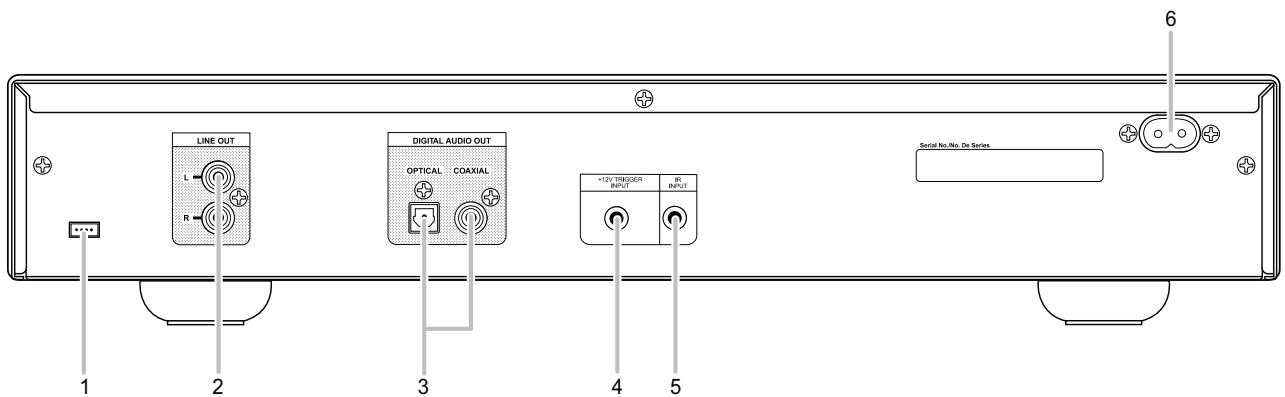
DIMENSION AND WEIGHT

Unit Dimensions (W x H x D)	435 x 285 x 70 mm (Net) 435 x 293 x 86 mm (Gross)*
Net weight	4.9 kg
Shipping weight	6.3 kg

* - Gross dimensions include feet, extended buttons and rear panel terminals.

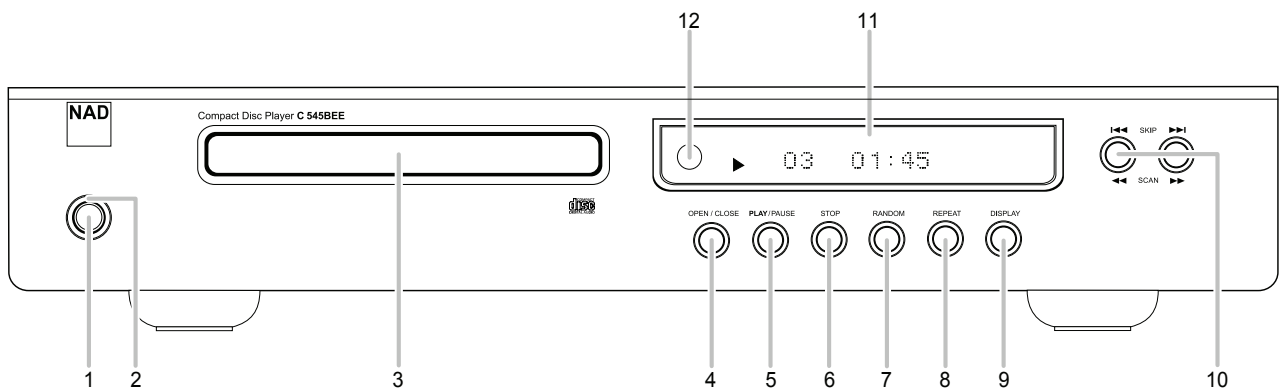
REAR PANEL / FRONT PANEL

REAR PANEL



- | | |
|-----------------------------------|-----------------------|
| 1. UPGRADE PORT | 4. +12V TRIGGER INPUT |
| 2. LINE OUT | 5. IR INPUT |
| 3. DIGITAL OUT (COAXIAL, OPTICAL) | 6. AC MAINS INPUT |

FRONT PANEL



- | | |
|----------------|-------------------|
| 1. STANDBY | 7. RANDOM |
| 2. STANDBY LED | 8. REPEAT |
| 3. DISC TRAY | 9. DISPLAY |
| 4. OPEN/CLOSE | 10. SKIP/SCAN |
| 5. PLAY/PAUSE | 11. VFD |
| 6. STOP | 12. REMOTE SENSOR |

DISASSEMBLY INSTRUCTIONS

1. Remove machine screws M 4.0 x 6.0 (① to ④) from the side panels.
Remove tapping screw 3.0 x 8.5 (⑤) from the back panel.
Refer to **Figure No.1**.

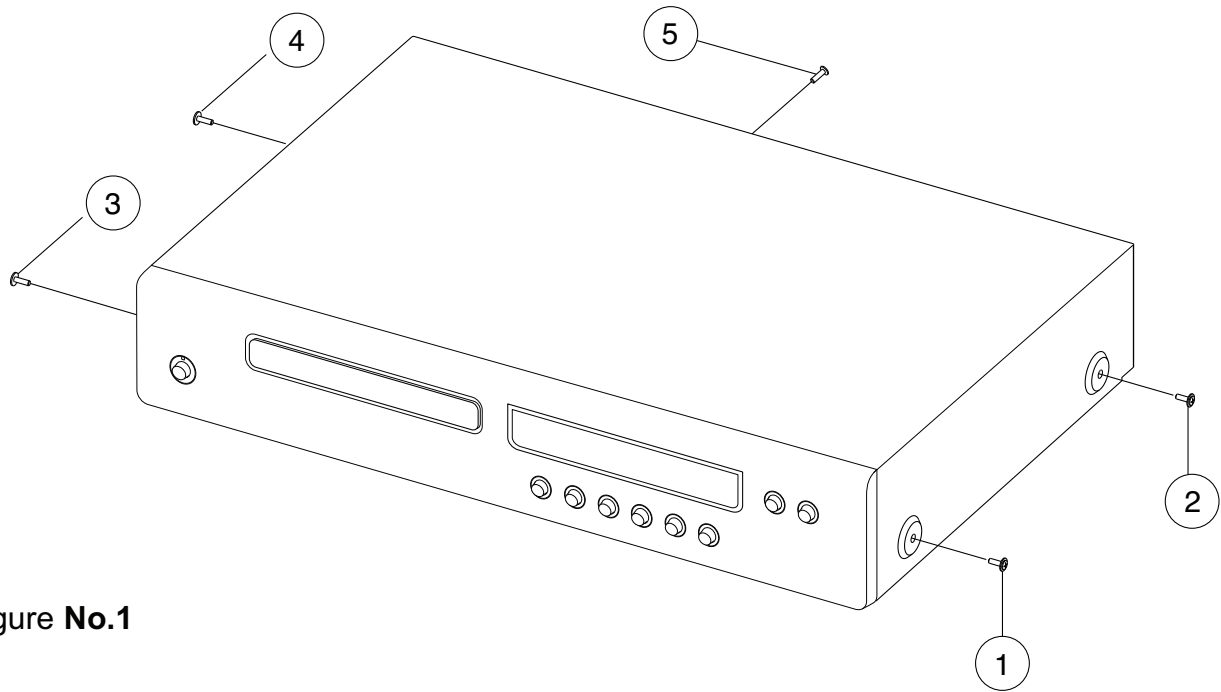


Figure No.1

2. Pull both sides of the TOP COVER slightly outwards (⑥) and tilt approx. 35° and then remove in the direction as indicated by the arrow (⑦). Refer to **Figure No.2**.

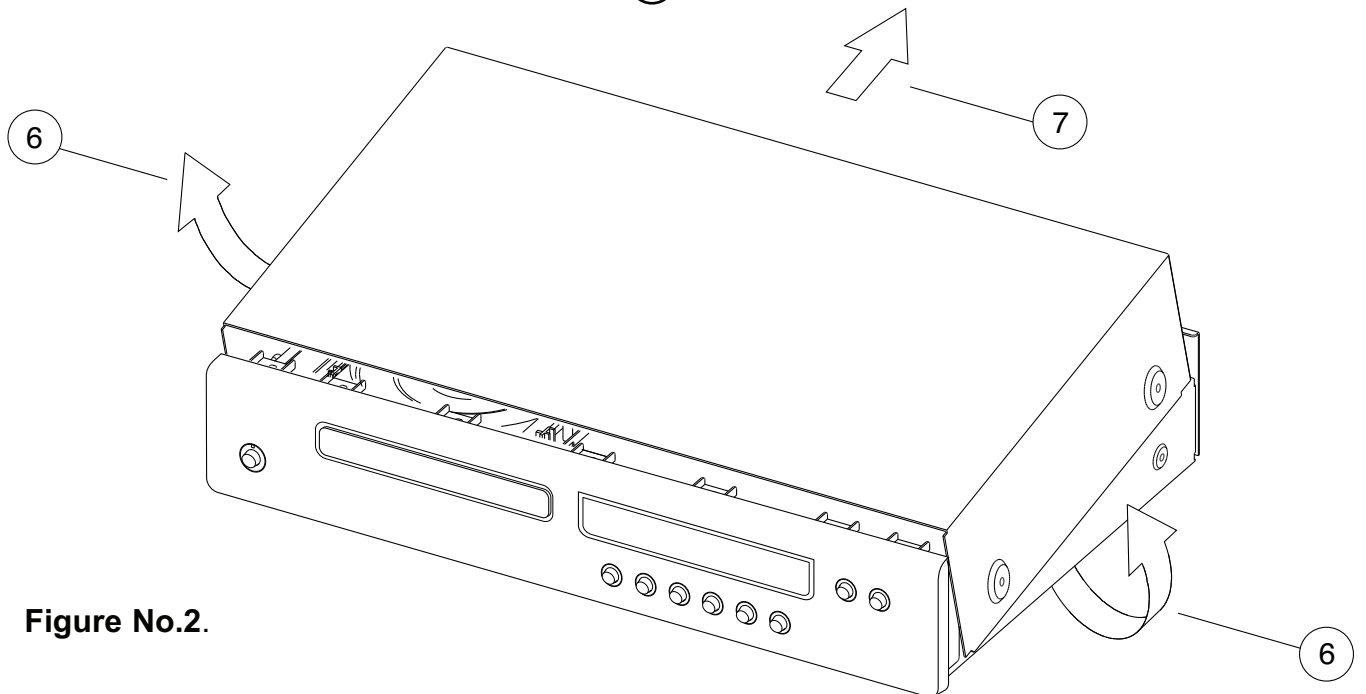
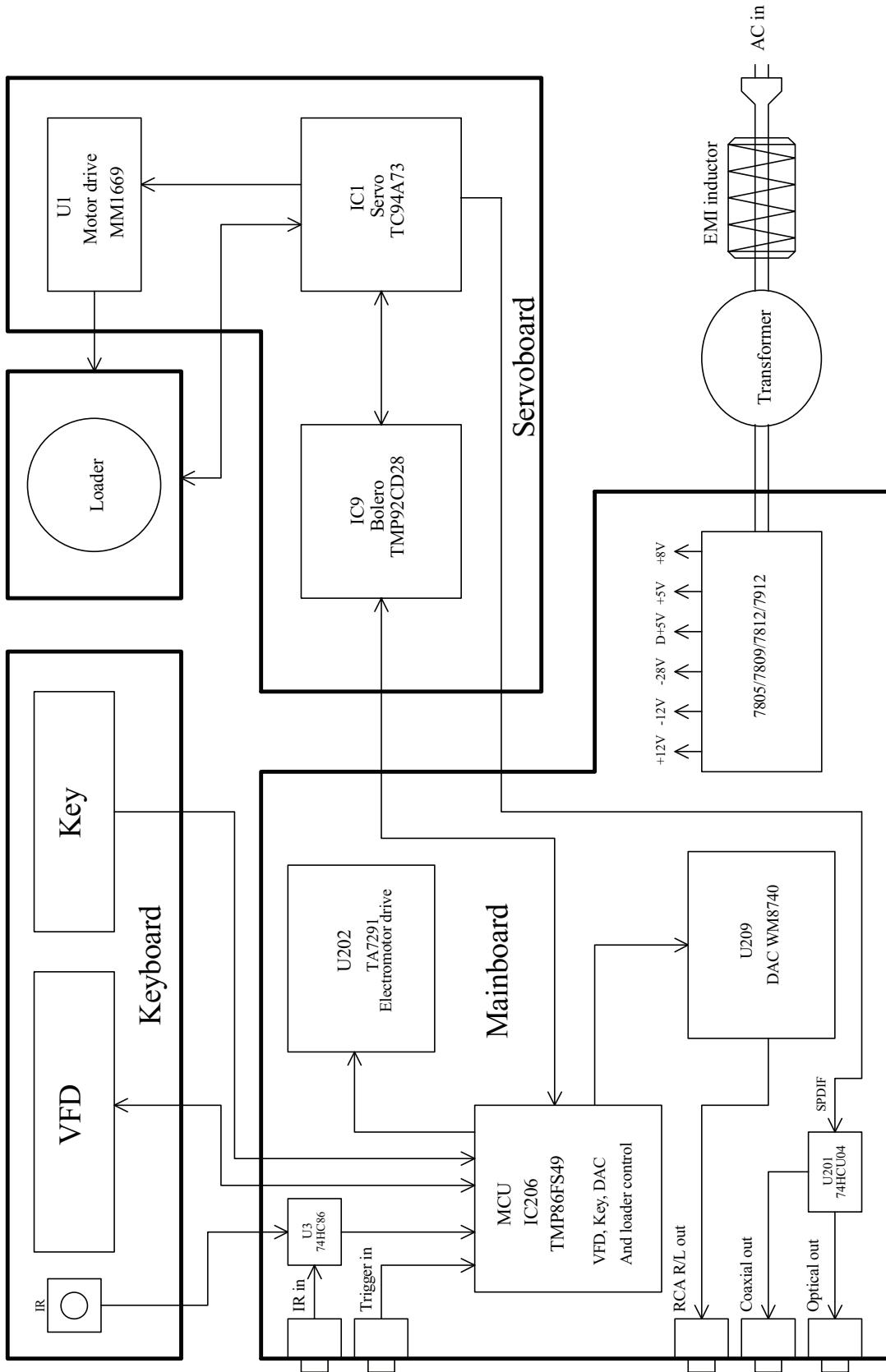


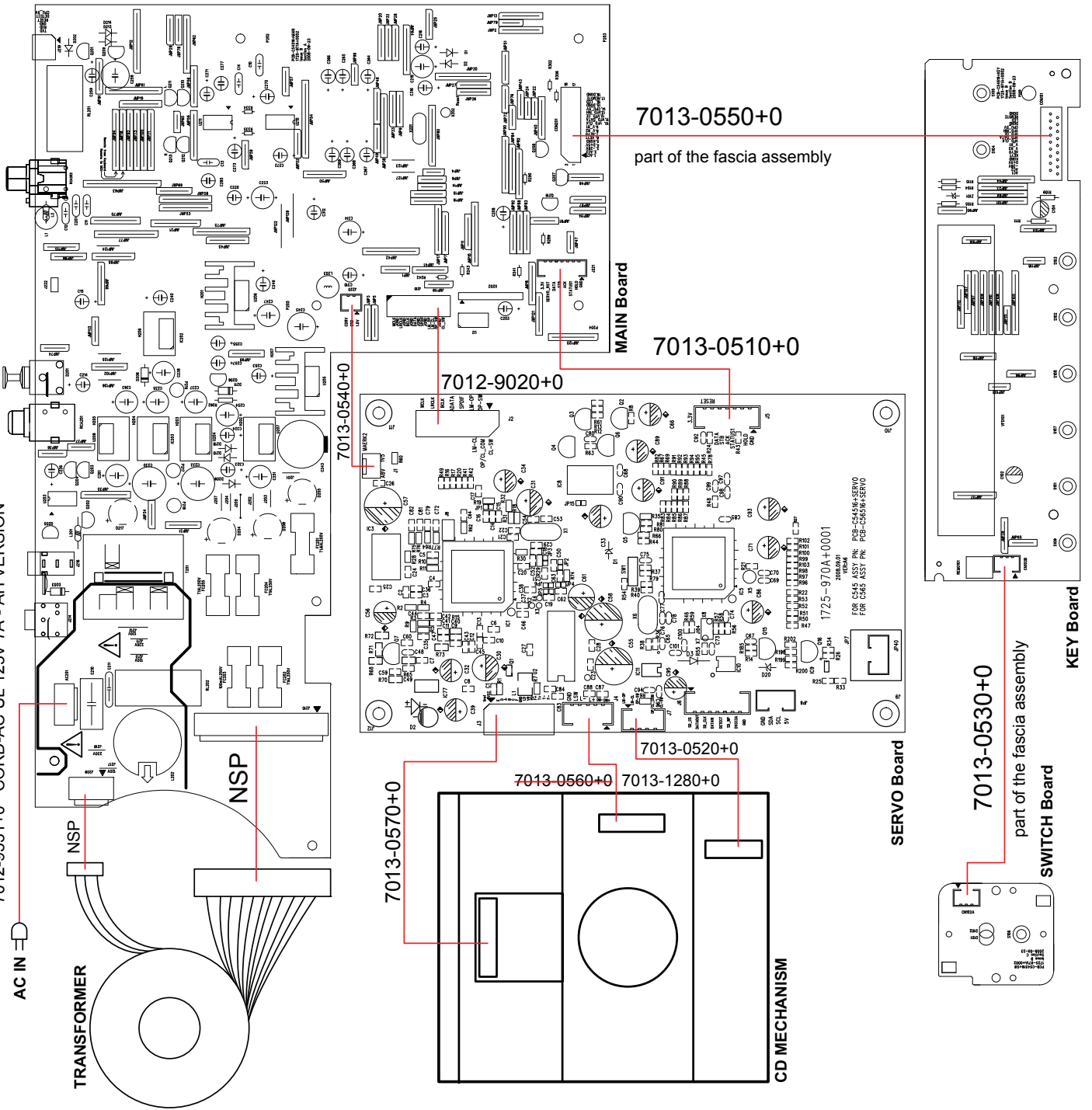
Figure No.2.

BLOCK DIAGRAM



WIRING DIAGRAM

7012-9301+0 CORD-AC GS 250V 2.5A - C VERSION
 7012-9331+0 CORD-AC UL 125V 7A - AH VERSION



IMPORTANT NOTES

INSTRUCTION FOR HANDLING OPTICAL SYSTEM BLOCK PICK-UP

Electrostatic breakdown of the laser diode in the optical system block may occur due to a potential difference caused by electrostatic charge accumulated on clothing, human body, etc. A ground must be provided as follows to prevent any electrostatic charge during unpacking or repair work.

1. Ground for Human Body

Be sure to wear a ground band (1M ohm) that is properly to remove any static electricity that may be charged on the body.

2. Ground for Work Bench

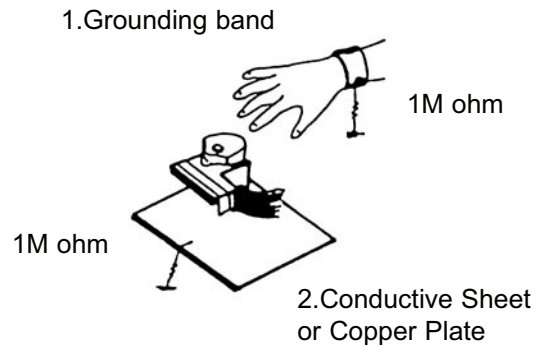
Be sure to place a conductive sheet (1M ohm) or copper plate with proper grounding on the work bench or other surface on which the pick-up is to be placed.

3. Because the static electricity charge on the clothing does not discharge through the body grounding band, do not let clothing to get in contact with the pick-up unit.

INCORRECT



CORRECT



NOTE: Laser diodes are so susceptible to damage from static electricity that even if a static discharge does not ruin the diode, it can shorten its life or cause it to work improperly.

PRECAUTIONS FOR CHECKING BEAM EMISSION

The laser beam of this unit is focused on the reflecting surface of the objective lens in the optical system block. Therefore, keep your eyes at least 12 inches (30 cm) away from the objective lens when the laser diode is **ON**. (Operation Check Method for Laser Diode and Focus Search Function.)

When the **POWER** switch is turned **ON** after the chucking plate is removed, observe the objective lens and confirm that the following operations are performed properly.

(The optical system should be at the lead-in area position when it is checked at this time.)

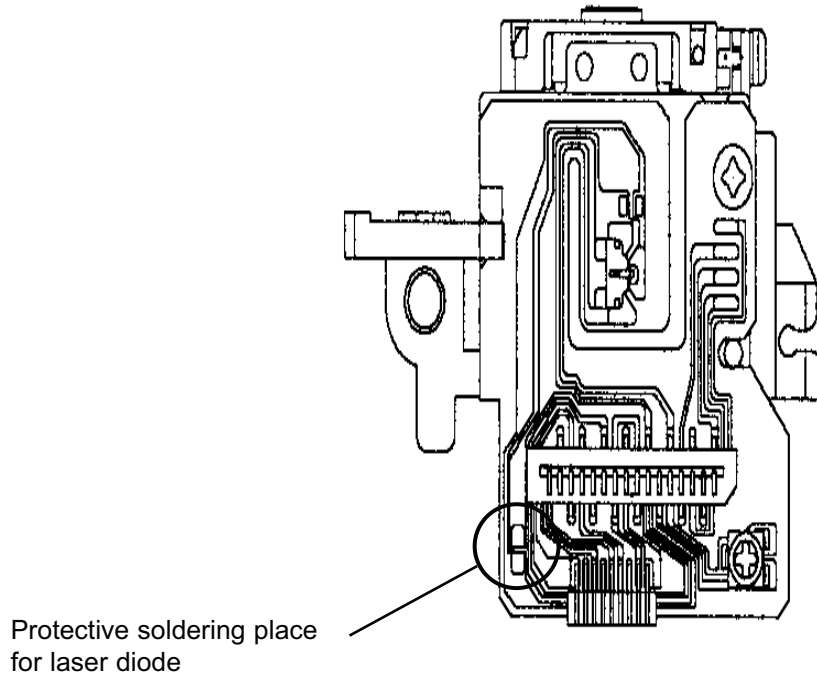
- (1) The laser should be at the innermost position after the chucking plate is removed.
- (2) The diffused light of the laser beam can be seen when the **POWER** switch is turned **ON**.
- (3) Vertical (up and down) movement of the objective lens (2 or 3 times) will take place.

PRECAUTIONS WHEN CHANGING LASER PICK-UP

When removing the pick-up assembly, short circuit the PCB tracks on the optical block as show in the drawing in order to protect the pick-up before removal.

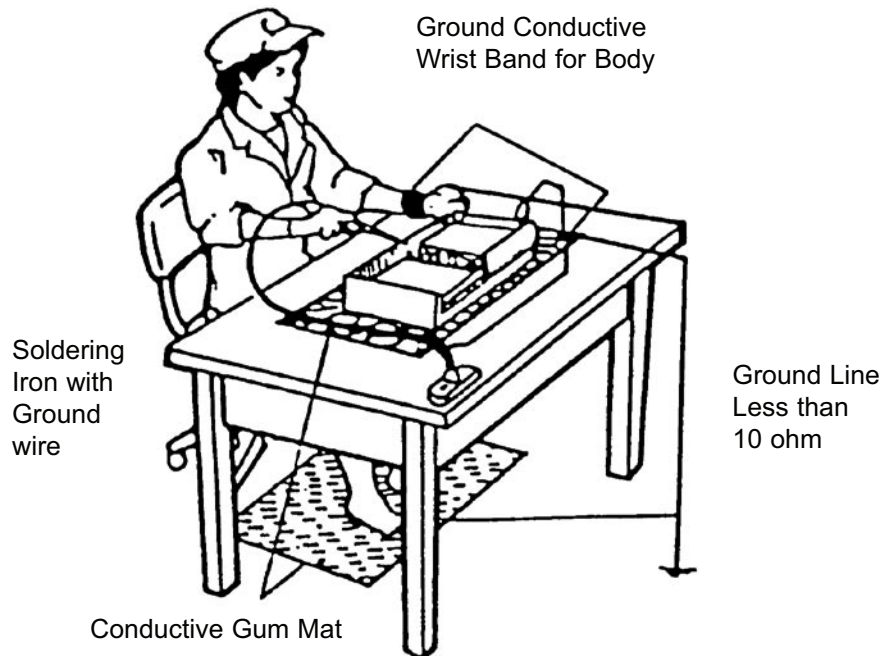
NOTE: Replacement pick-up assemblies are supplied with the PCB pattern already protected.

DO NOT REMOVE THE SHORT CIRCUITS UNTIL YOU HAVE FINISHED FITTING THE PICK-UP.



Caution:

Laser diodes are extremely susceptible to damage from static electricity. Even if a static discharge does not ruin the diode, it can shorten its life or cause it to work improperly. When replacing the pick-up, use a conductive mat, a grounded soldering iron, and so on, to protect the laser diode from static damage.



MULTI-KEY TABLE FOR C545BEE (original production)

Item	Content	Multi-key
1	VFD full segment display	STOP + SCAN BACK
2	Playtime total	RANDOM + SCAN FORWARD
3	Eject times count	RANDOM + SCAN BACK

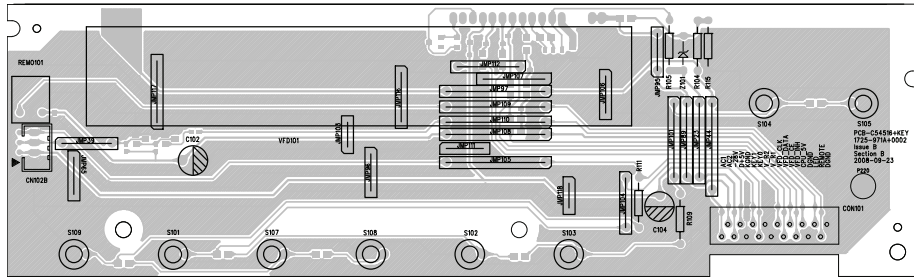
NOTES

New special key functions (MCU v0.4.0. & Servo v4.4.)

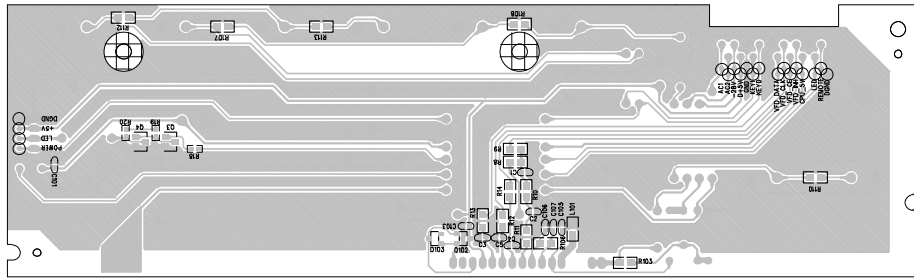
- Playtime counter : Random + Scan Forward for 5 sec
- Open tray (Eject times) counter : Random + Scan Back for 5 sec
- Counter reset : Random + Display for 5 sec, then press password 5-4-5-5-6-5 via remote
- Auto-standby on/off : Random + Play for 5 sec.
- VFD full segment display : Press Stop + Scan Back for 5 sec.

PCB LAYOUT

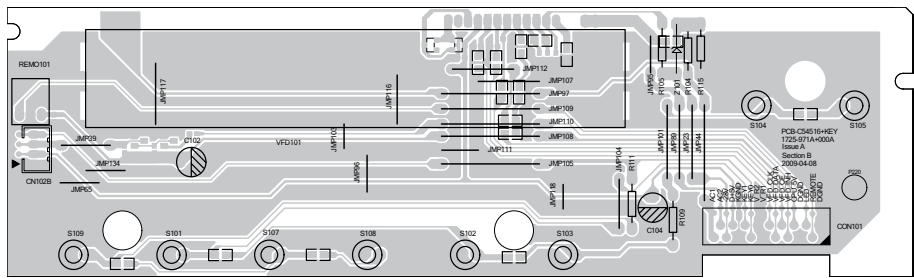
KEY BOARD



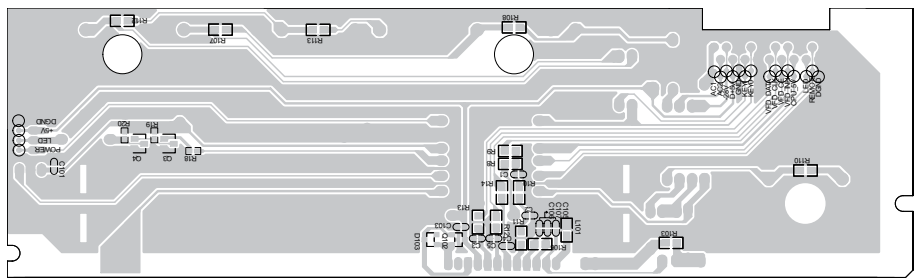
top side



bottom side

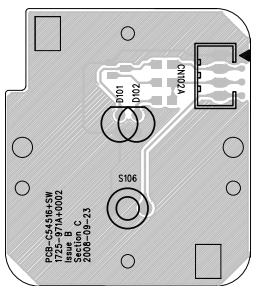


top side

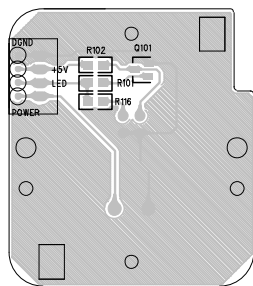


bottom side

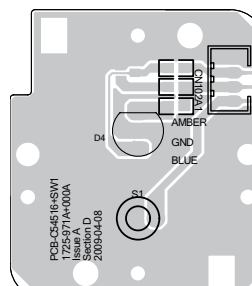
SWITCH BOARD



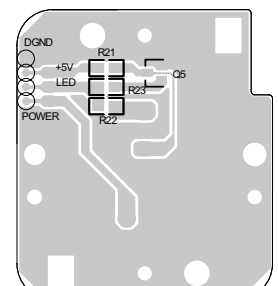
top side



bottom side

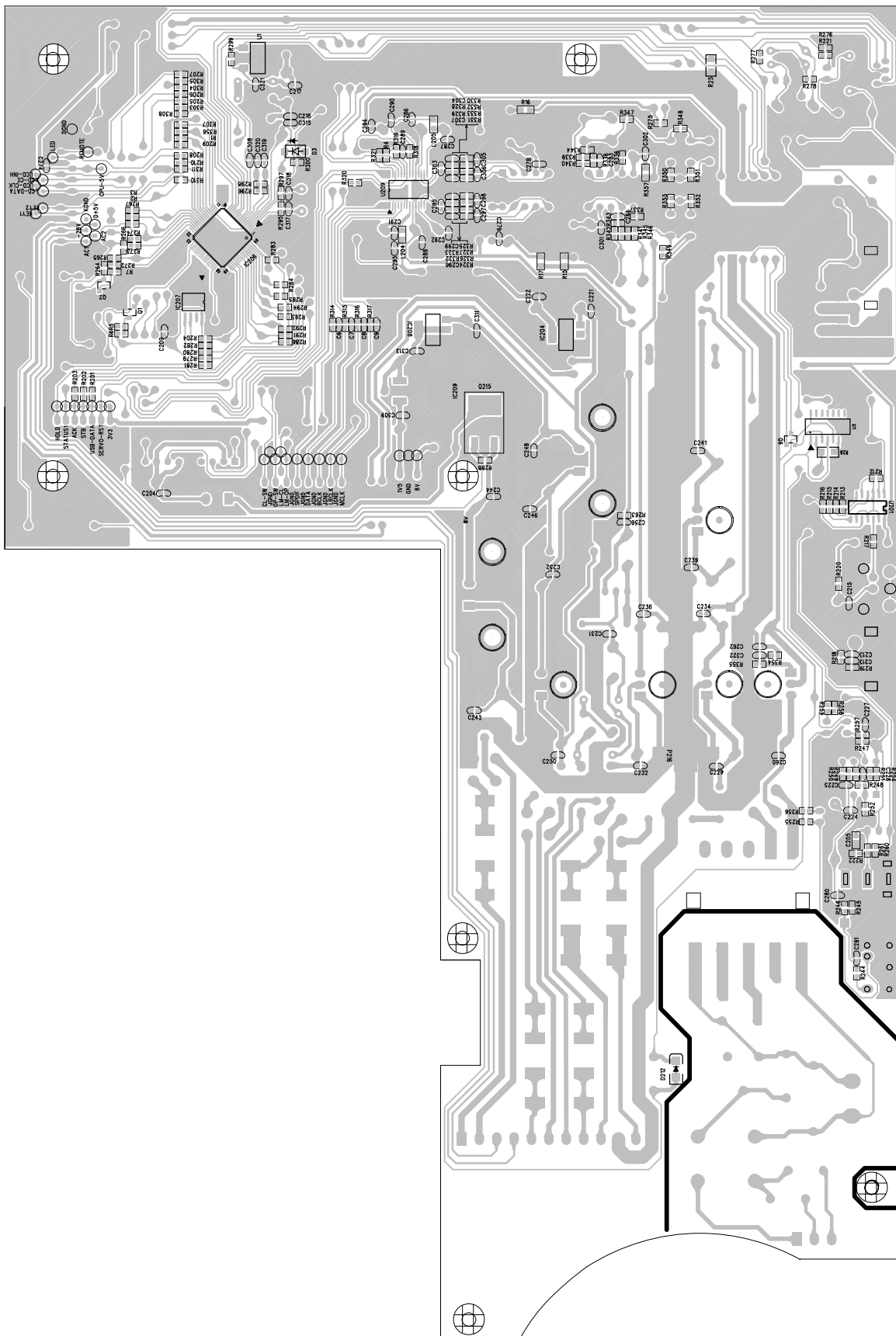


top side

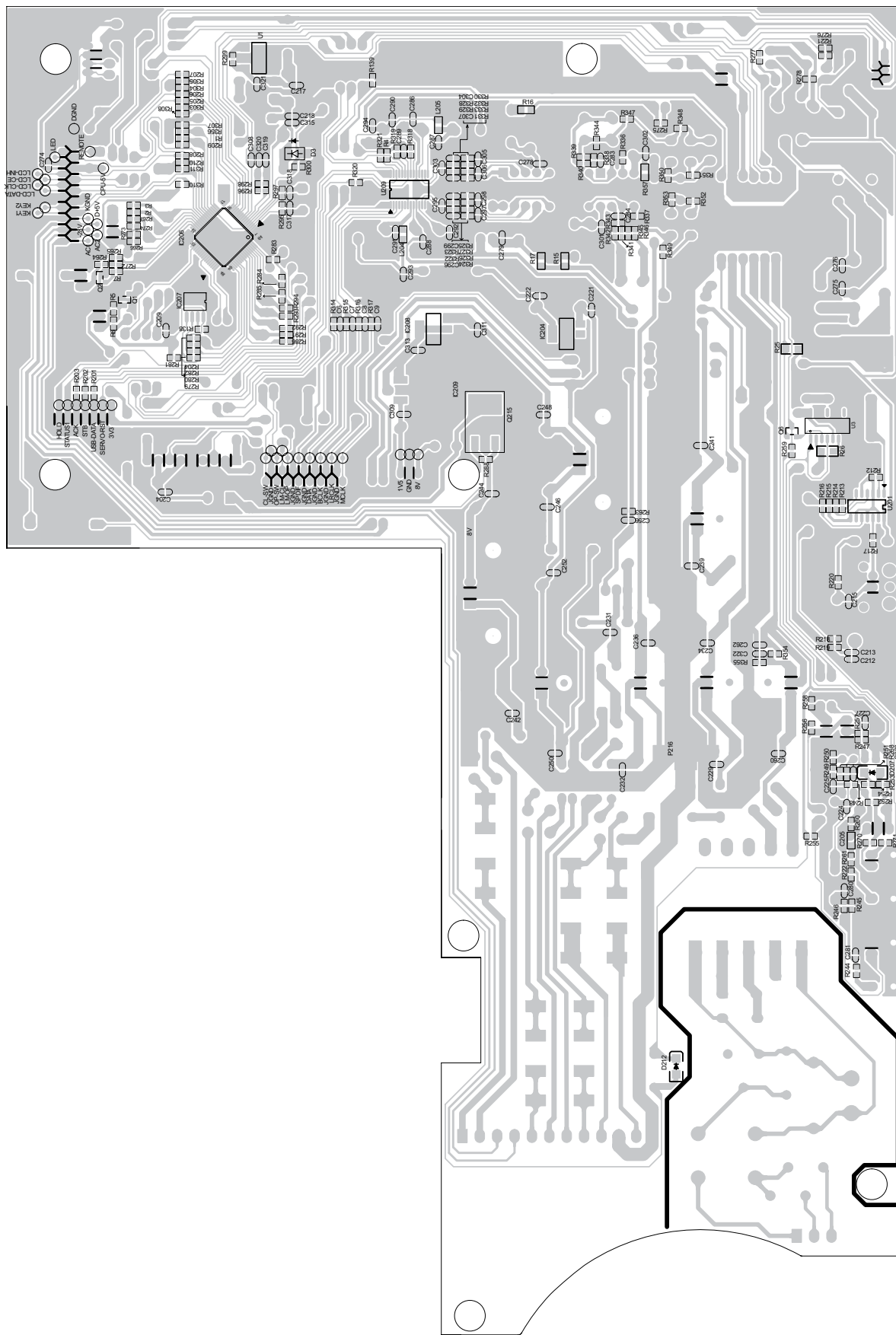


bottom side

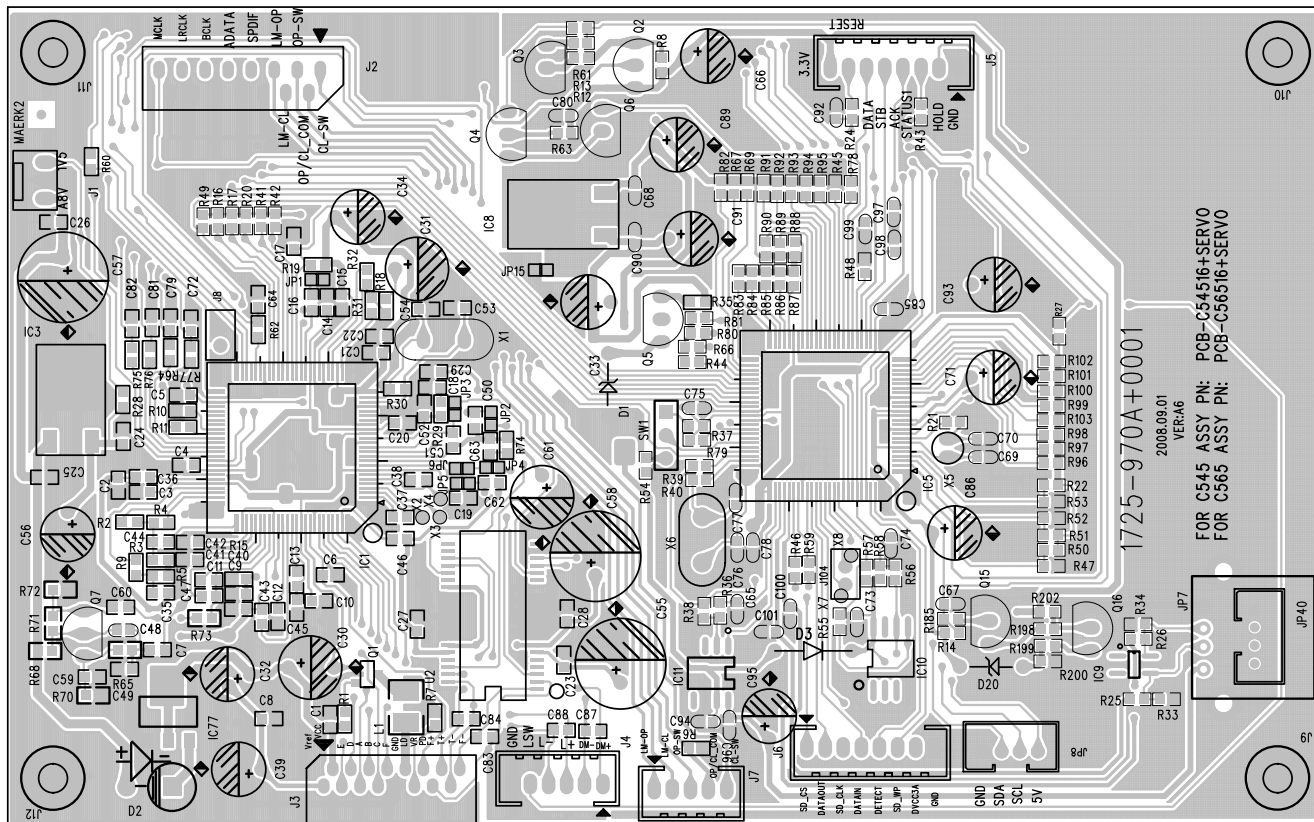
MAIN BOARD - bottom side



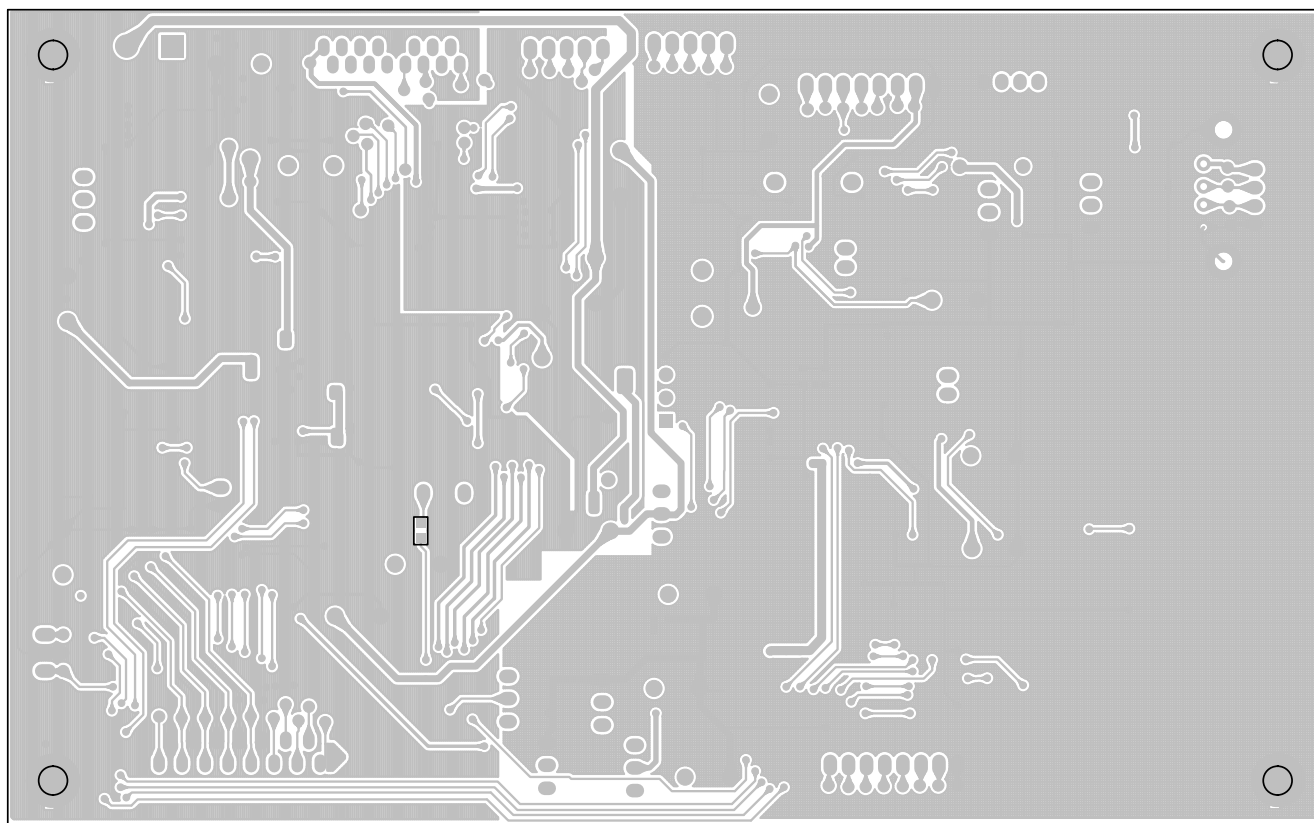
MAIN BOARD - bottom side



SERVO BOARD

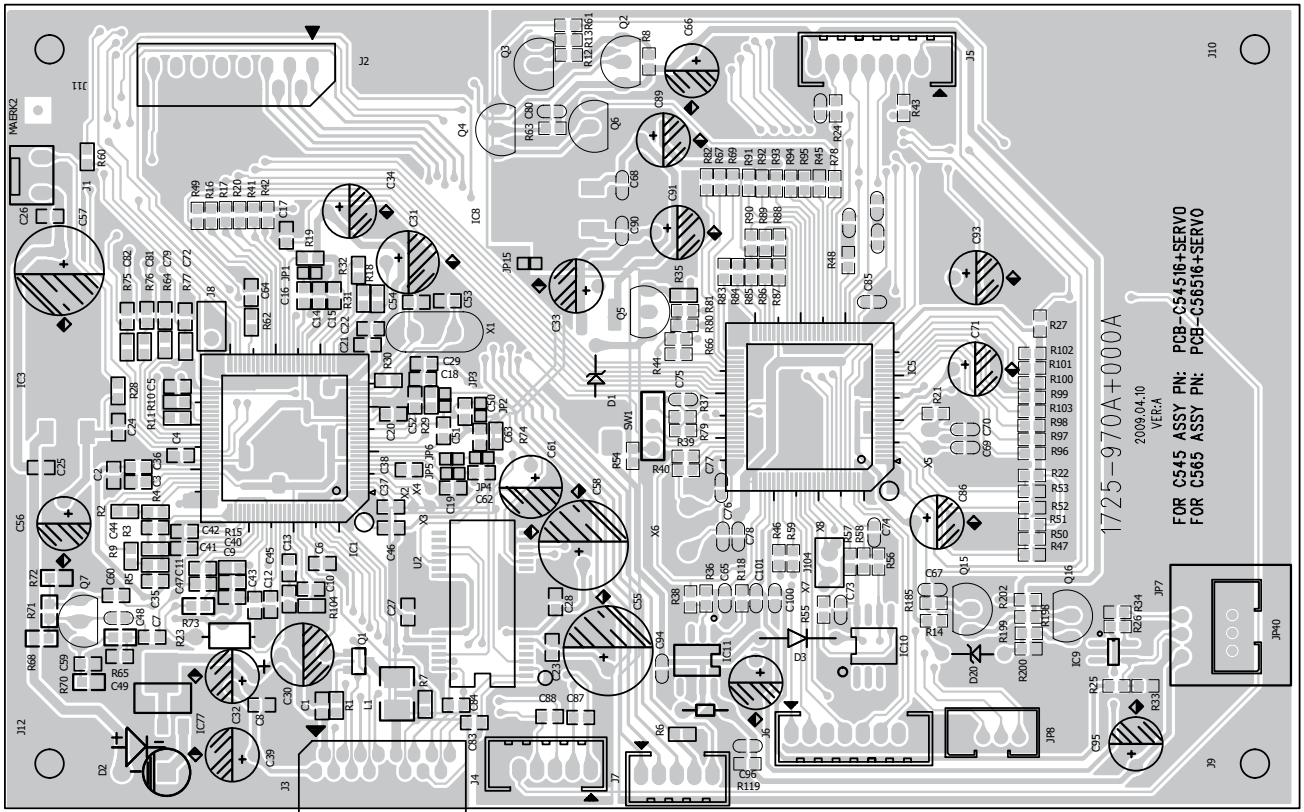


top side

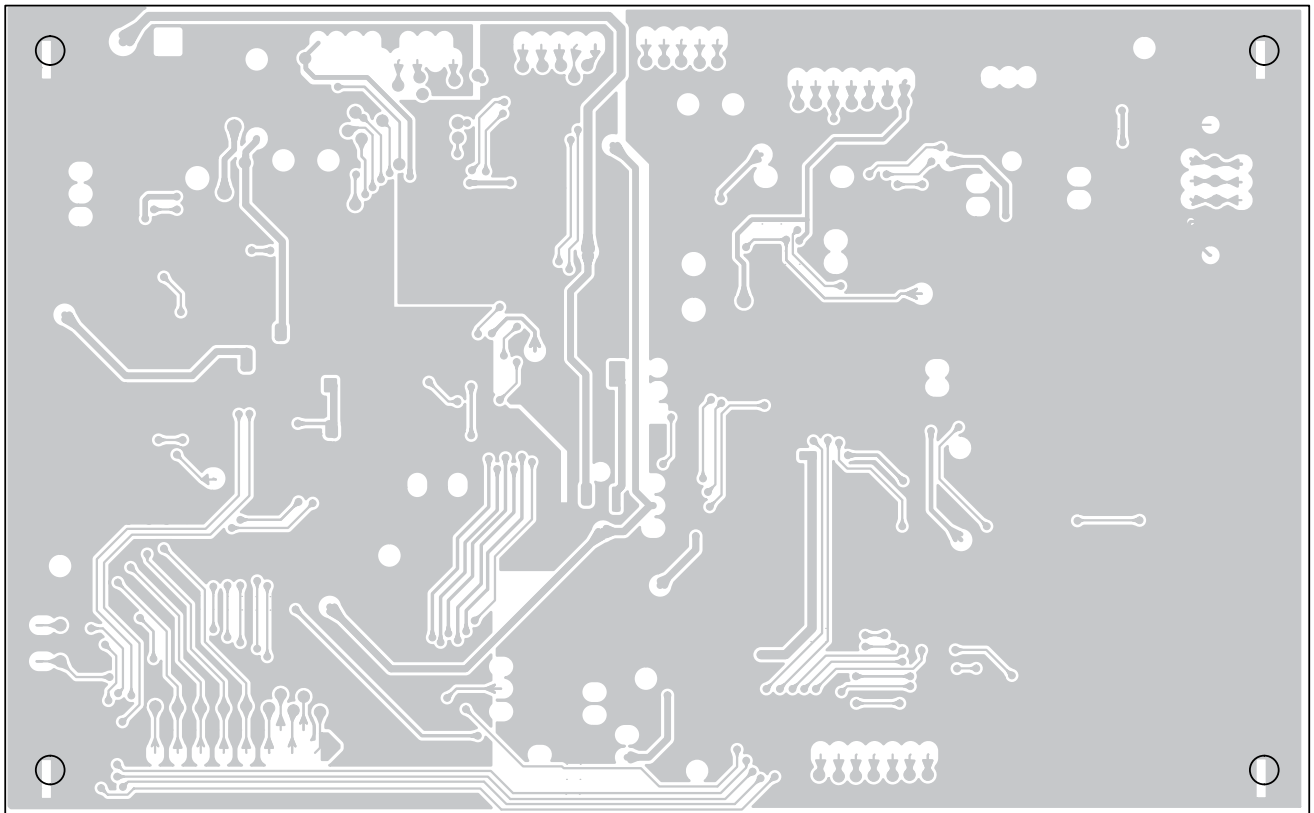


bottom side

SERVO BOARD



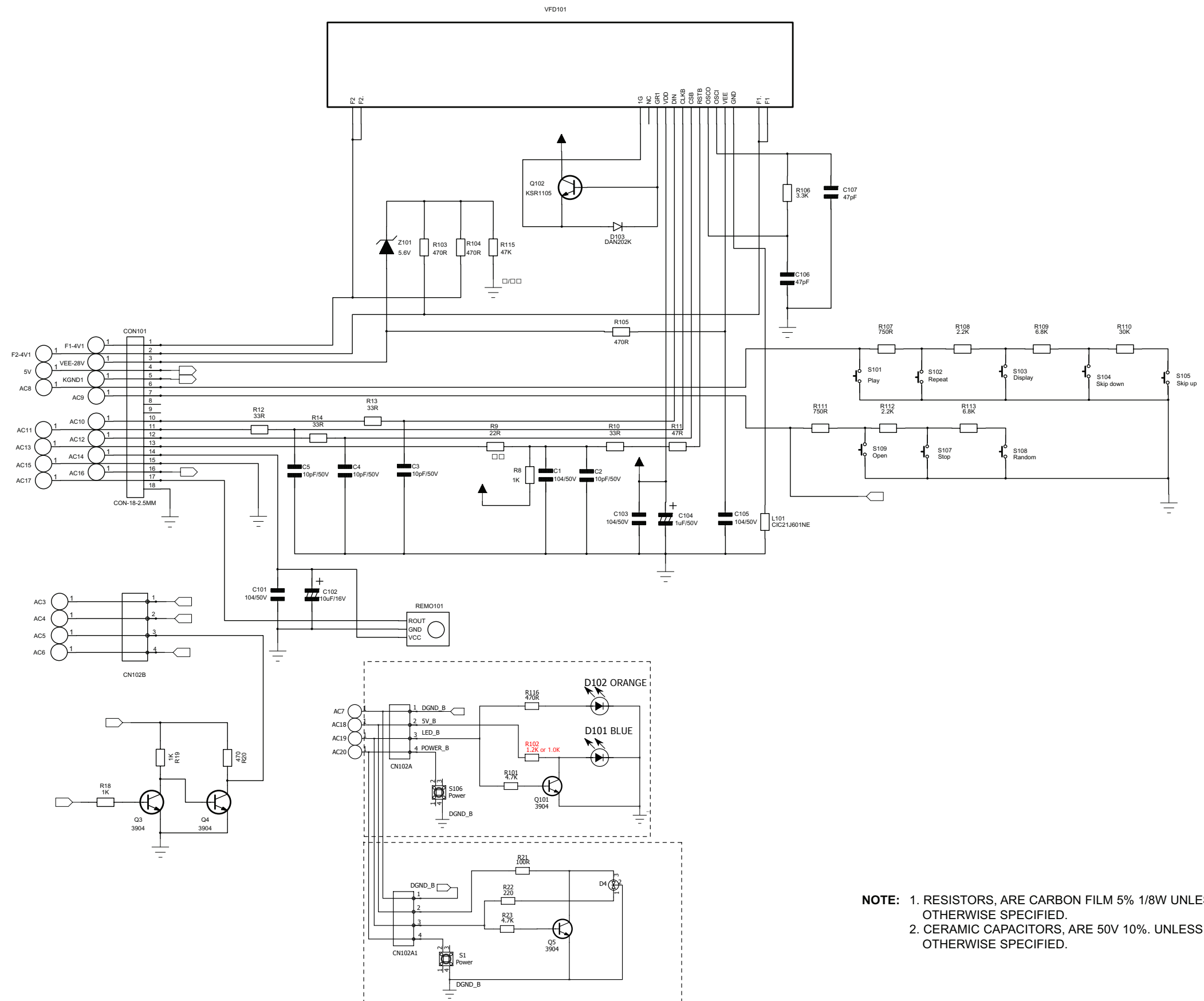
top side



bottom side

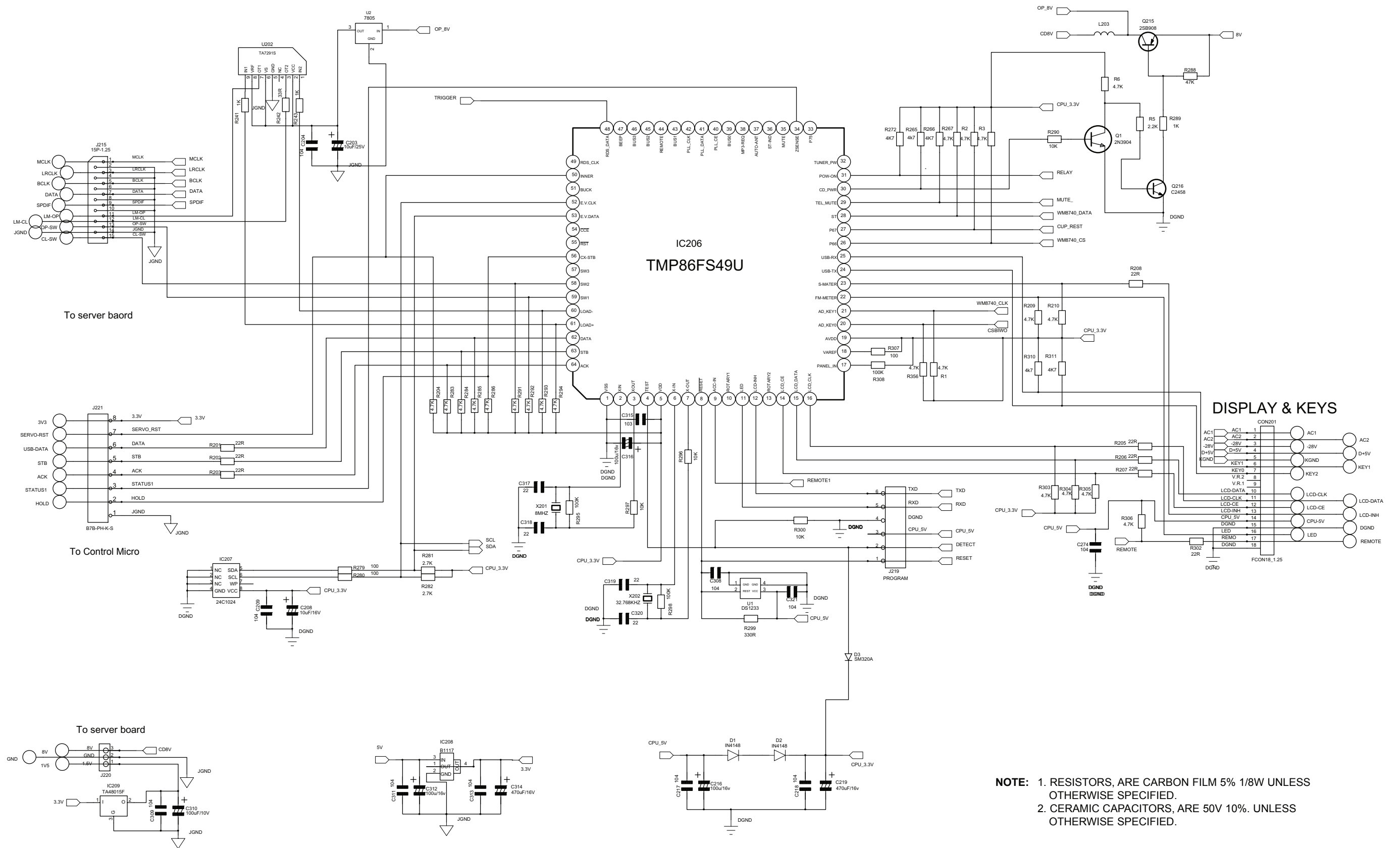
SCHEMATIC DIAGRAM

KEY

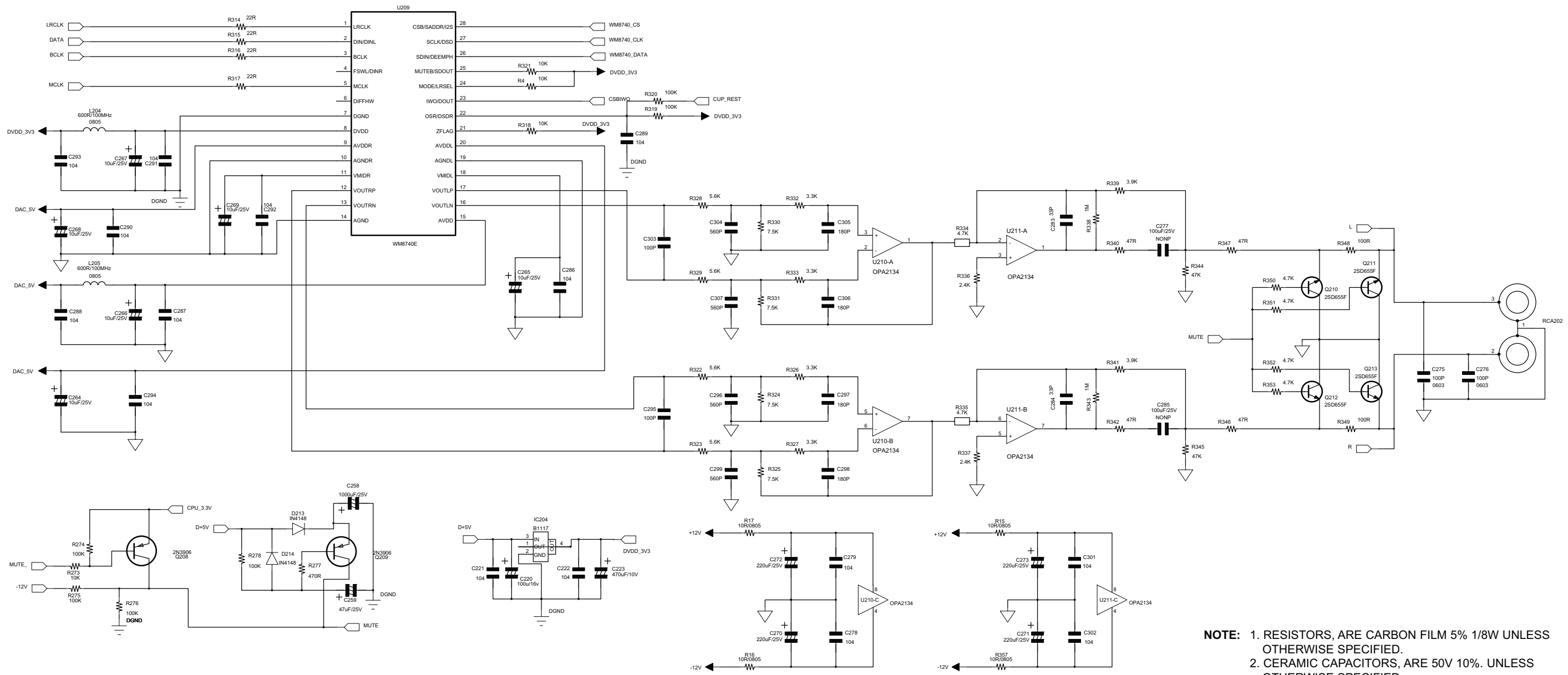


NOTE: 1. RESISTORS, ARE CARBON FILM 5% 1/8W UNLESS OTHERWISE SPECIFIED.
2. CERAMIC CAPACITORS, ARE 50V 10%. UNLESS OTHERWISE SPECIFIED.

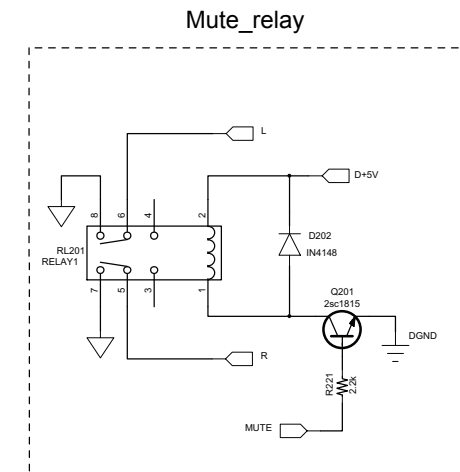
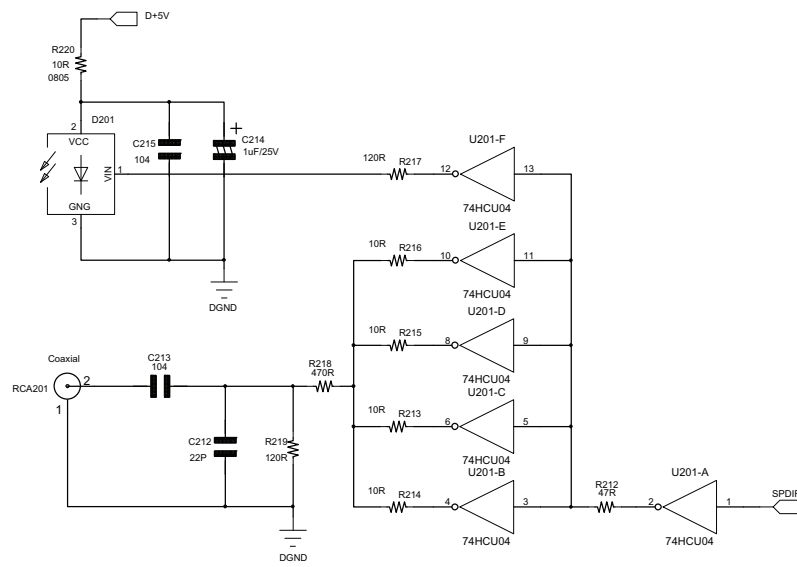
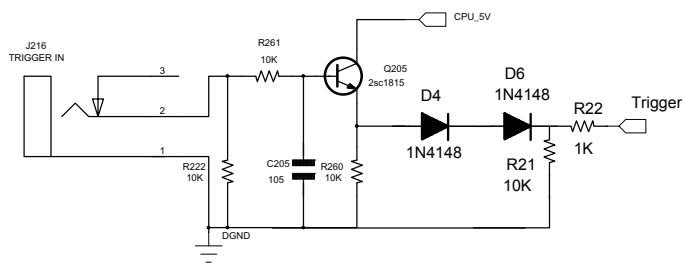
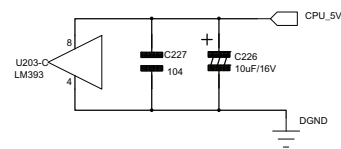
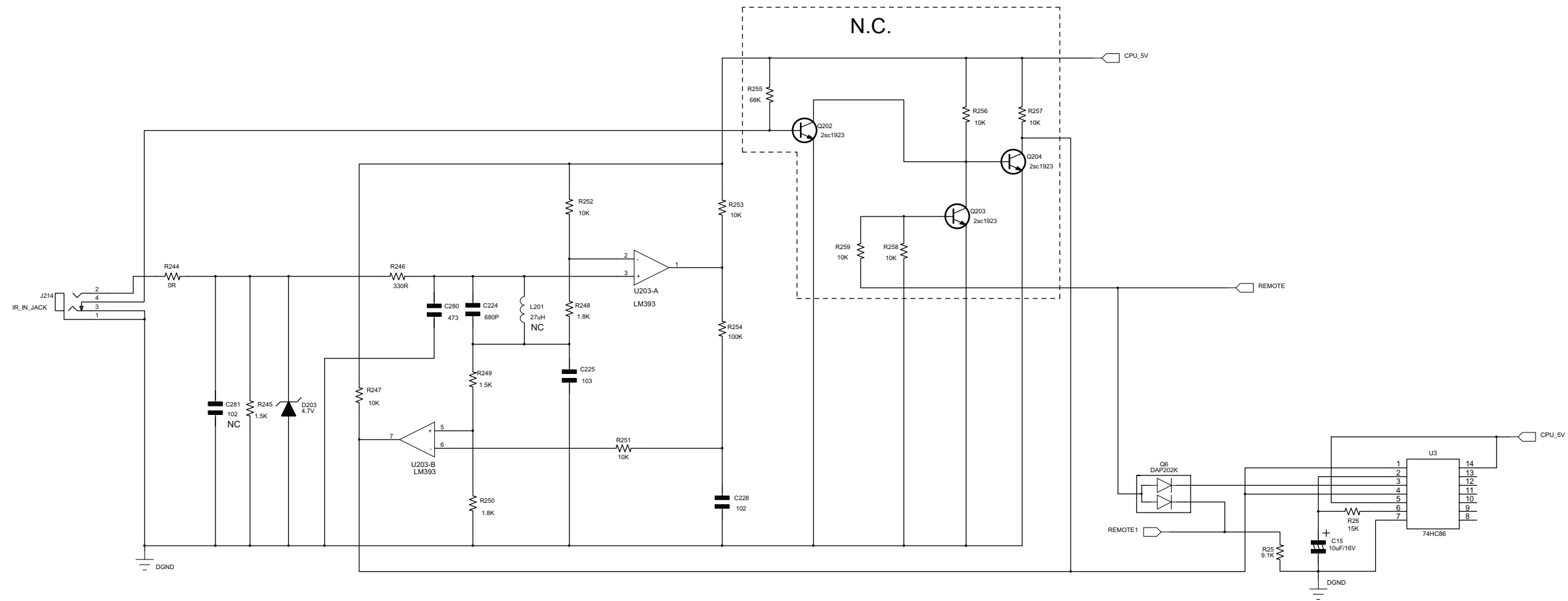
MCU



DAC

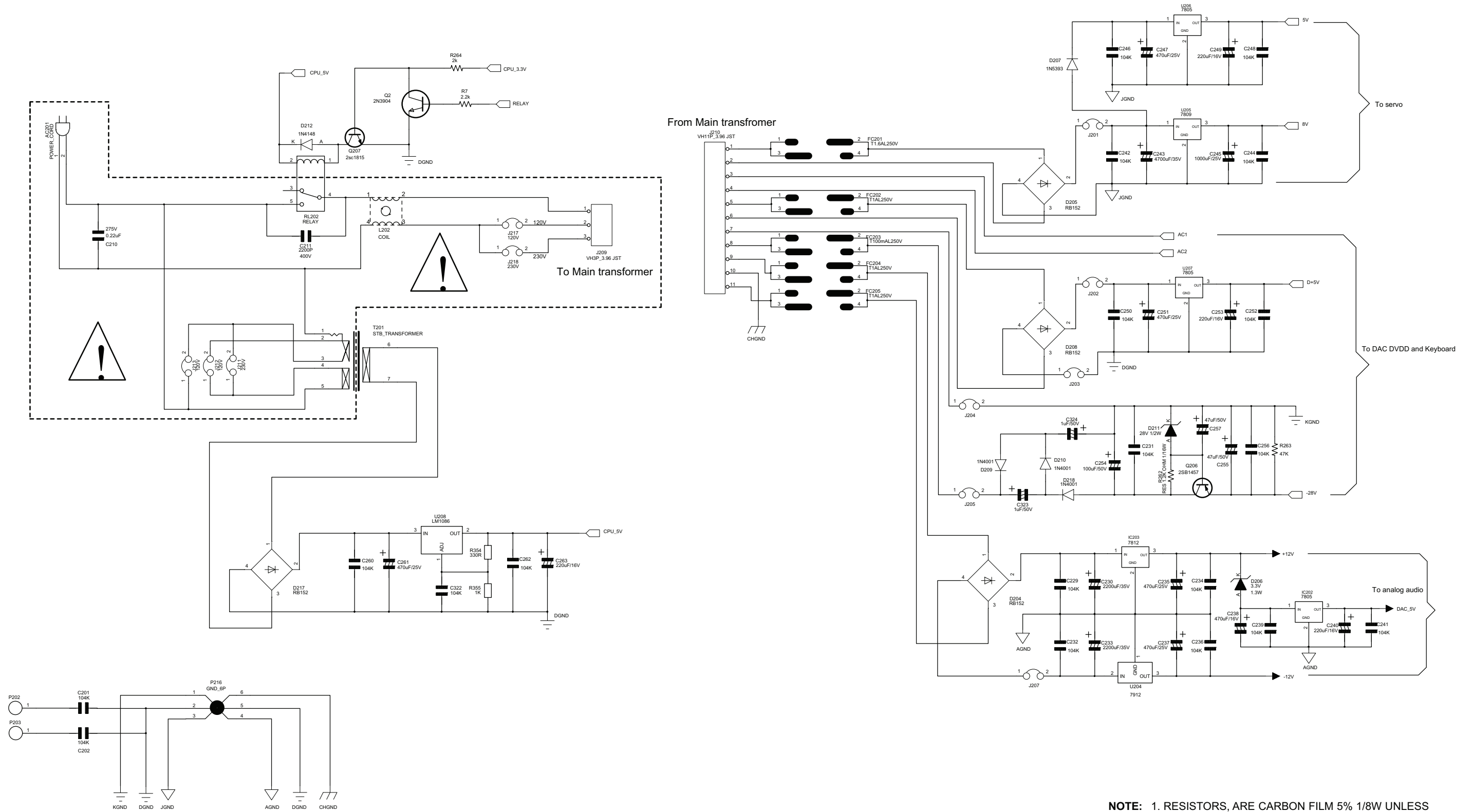


IR / TRIGGER IN



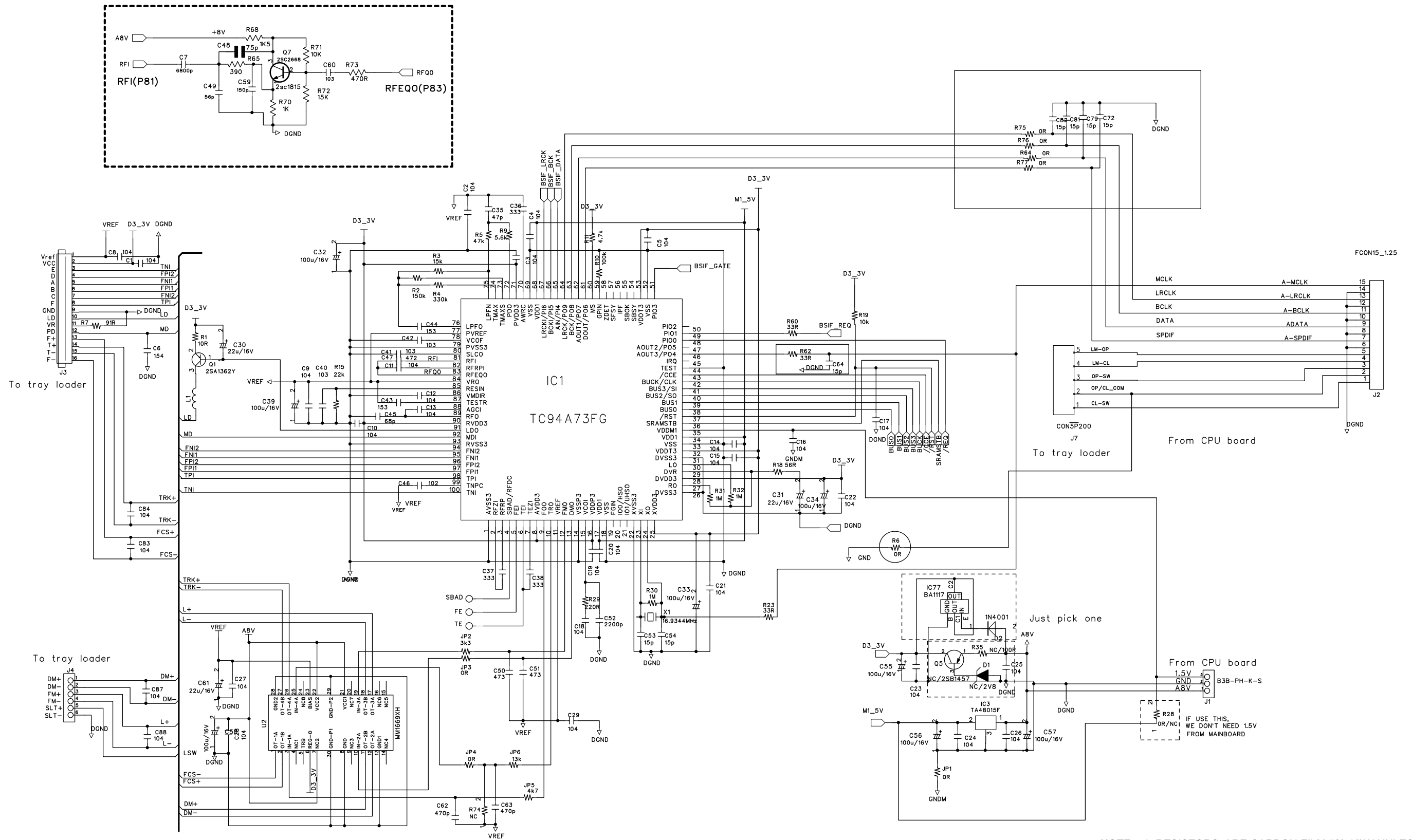
NOTE: 1. RESISTORS, ARE CARBON FILM 5% 1/8W UNLESS OTHERWISE SPECIFIED.
2. CERAMIC CAPACITORS, ARE 50V 10%. UNLESS OTHERWISE SPECIFIED.

POWER



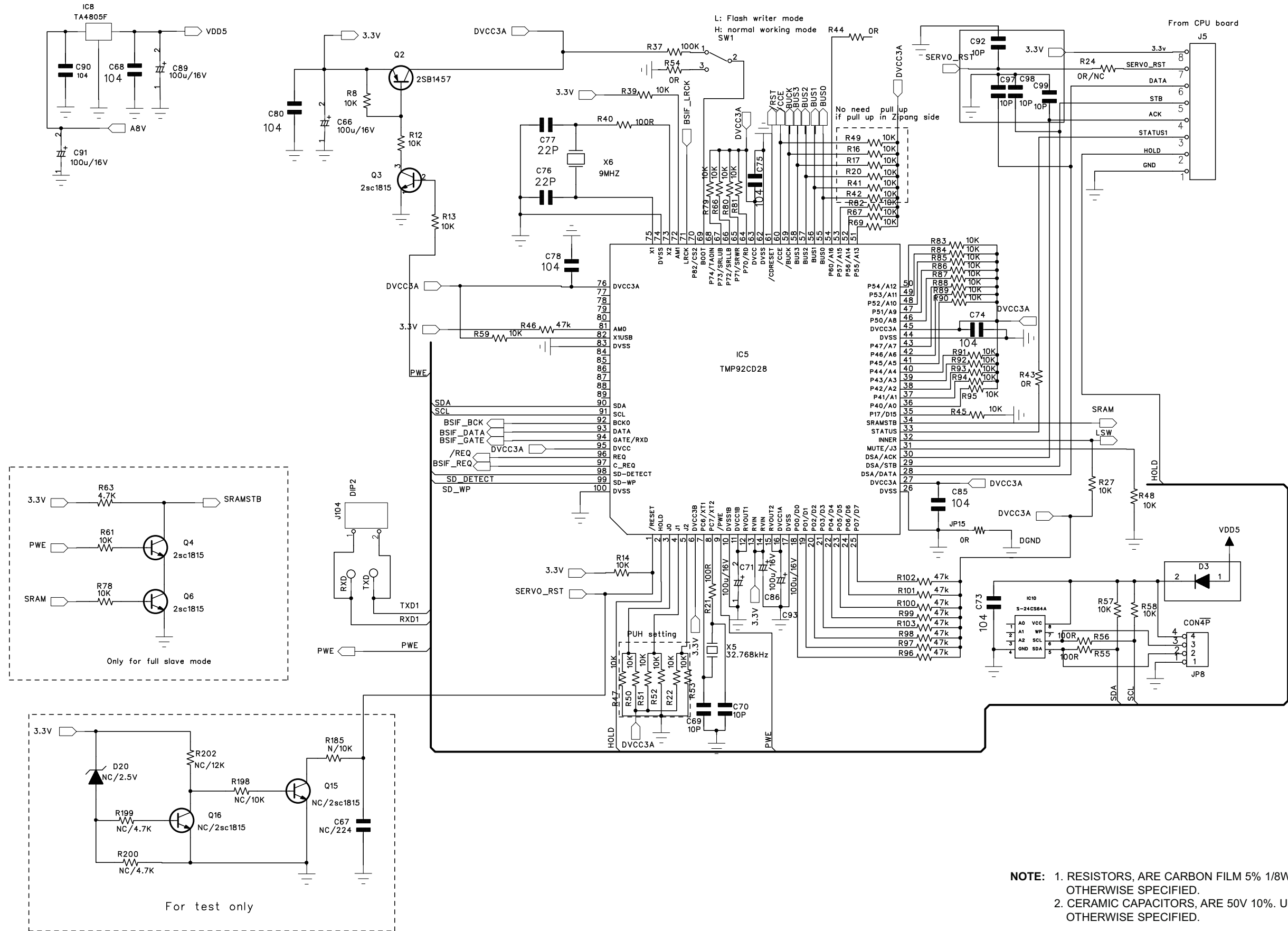
NOTE: 1. RESISTORS, ARE CARBON FILM 5% 1/8W UNLESS OTHERWISE SPECIFIED.
 2. CERAMIC CAPACITORS, ARE 50V 10%. UNLESS OTHERWISE SPECIFIED.

SERVO



NOTE: 1. RESISTORS, ARE CARBON FILM 5% 1/8W UNLESS OTHERWISE SPECIFIED.
 2. CERAMIC CAPACITORS, ARE 50V 10%. UNLESS OTHERWISE SPECIFIED.

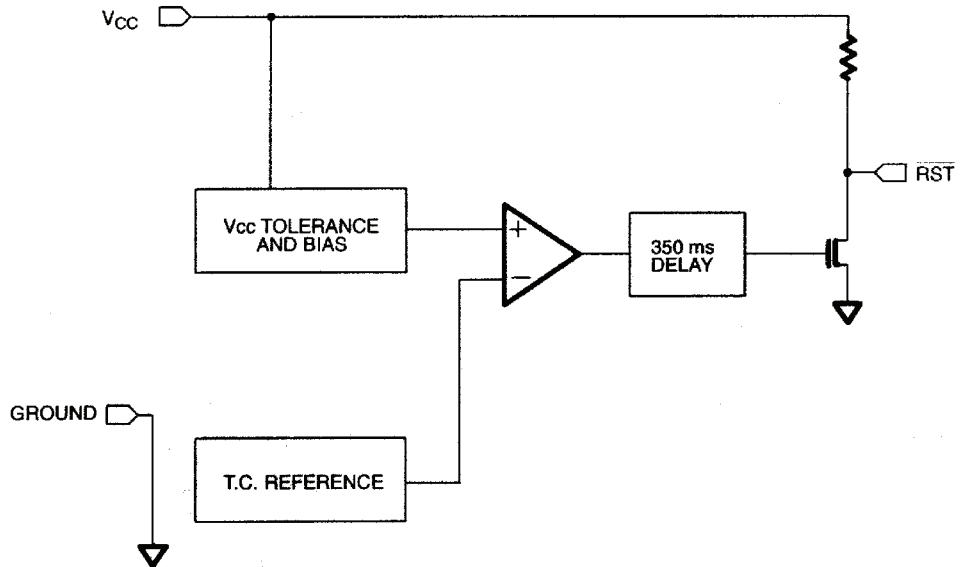
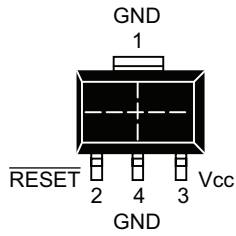
CONTROL MICRO



IC BLOCK DIAGRAM

MAIN BOARD

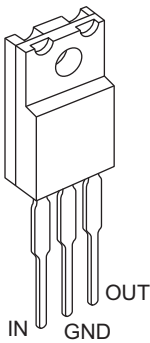
U1: DS123DZ-5+T&R



MAIN BOARD

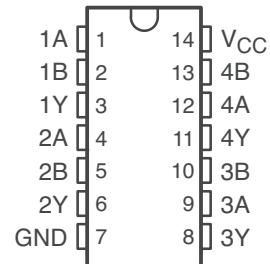
U2, U206, U207, IC202: NJM7805FA-#ZZZB

IC203: NJM7812FA-#ZZZB



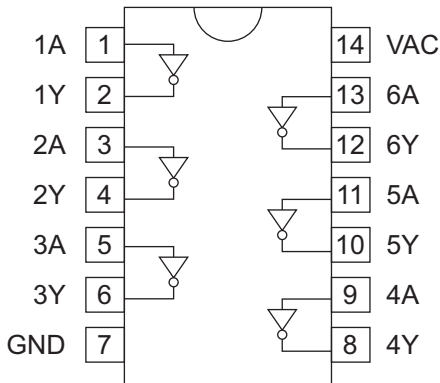
MAIN BOARD

U3: QUAD 2INPUT EXCLUSIVE



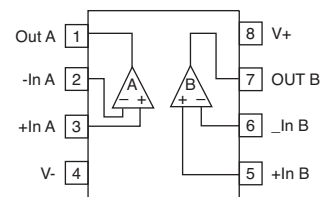
MAIN BOARD

U201: SN74HCU04D (SOP)



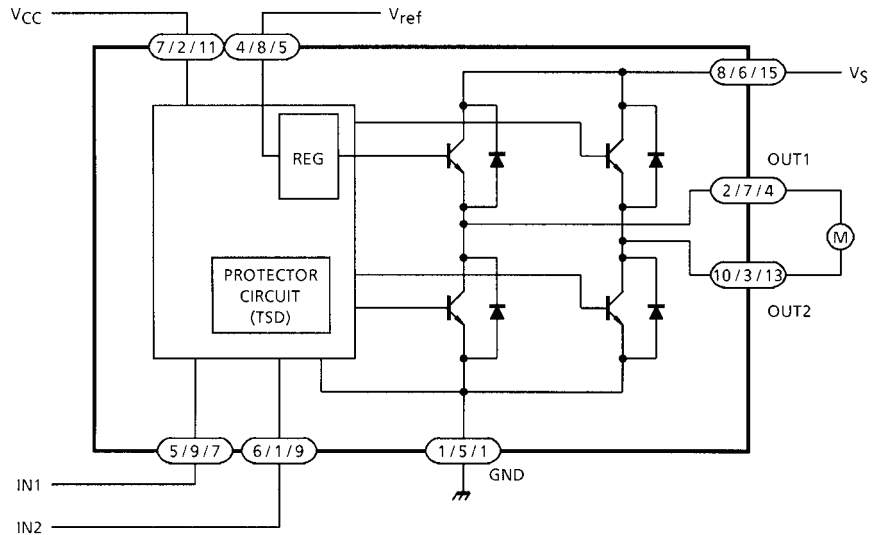
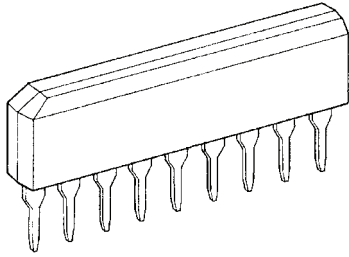
MAIN BOARD

U210, U211: OPA2134PA DIP OP AMP



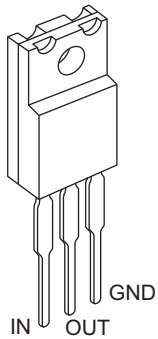
MAIN BOARD

U202: TA7291SG(5M)22240239



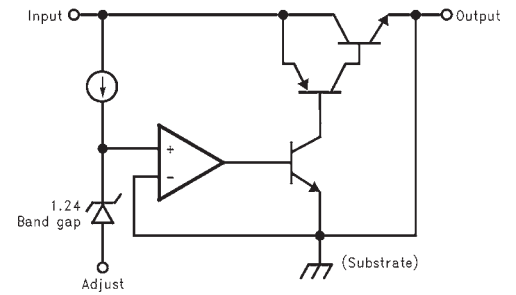
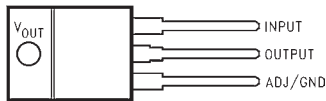
MAIN BOARD

U204: NJM7912FA-#ZZZB



MAIN BOARD

U208: REG LM1086IT-ADJ

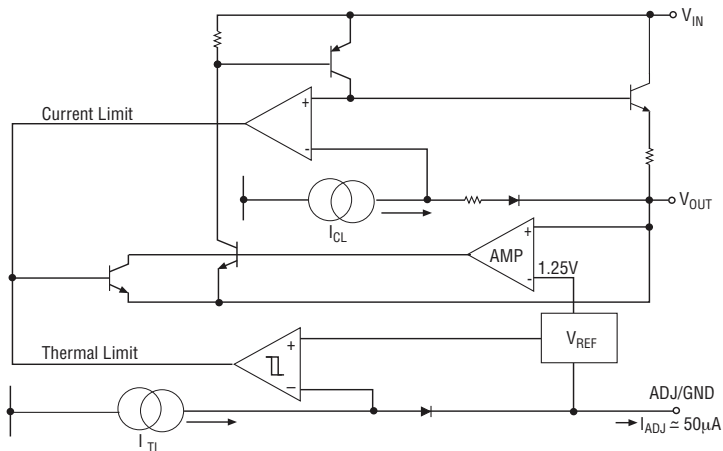
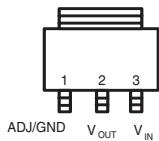


MAIN BOARD

IC204, IC208: LM1117S-3.3

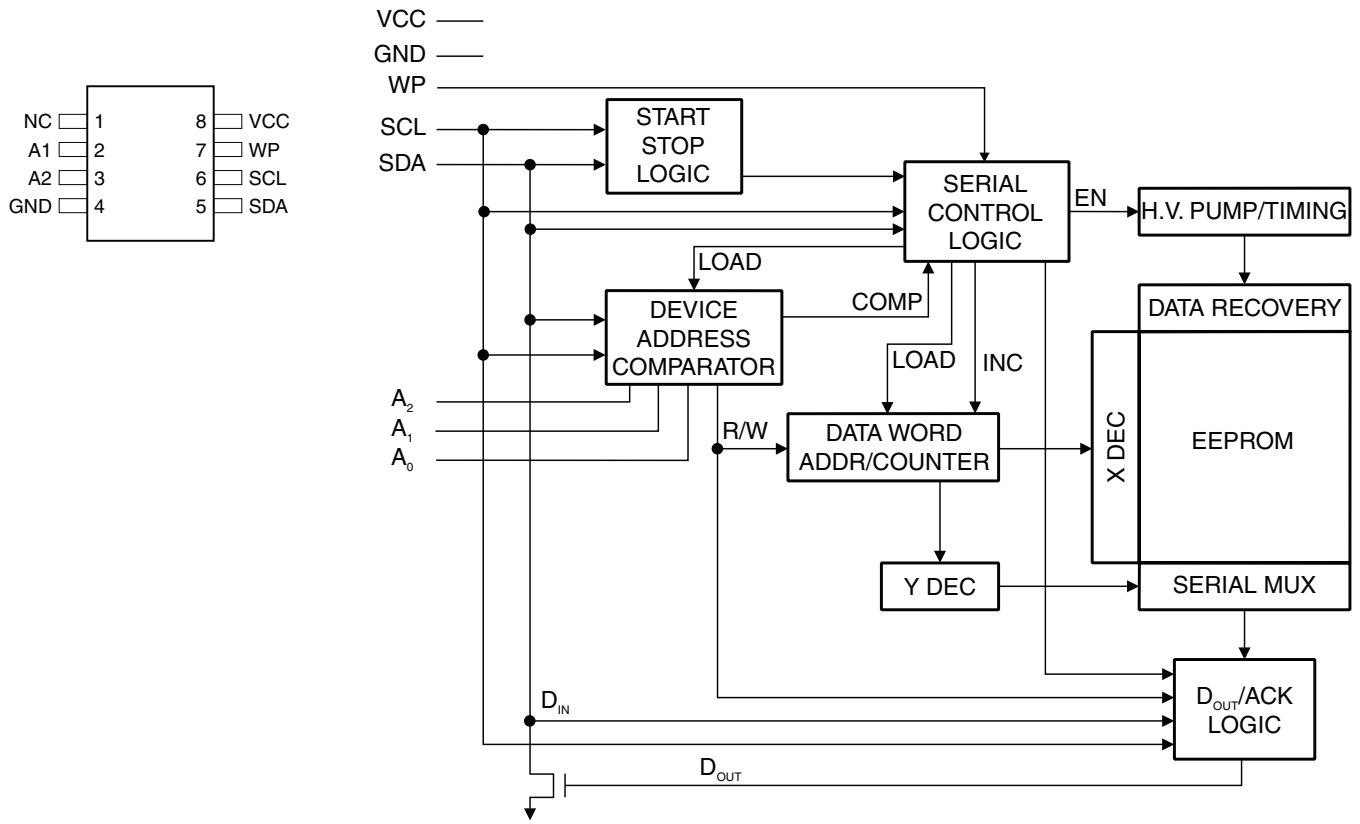
SERVO BOARD

IC77: LM1117S-3.3



MAIN BOARD

IC207: MEMORY 24C1024 SOIC8

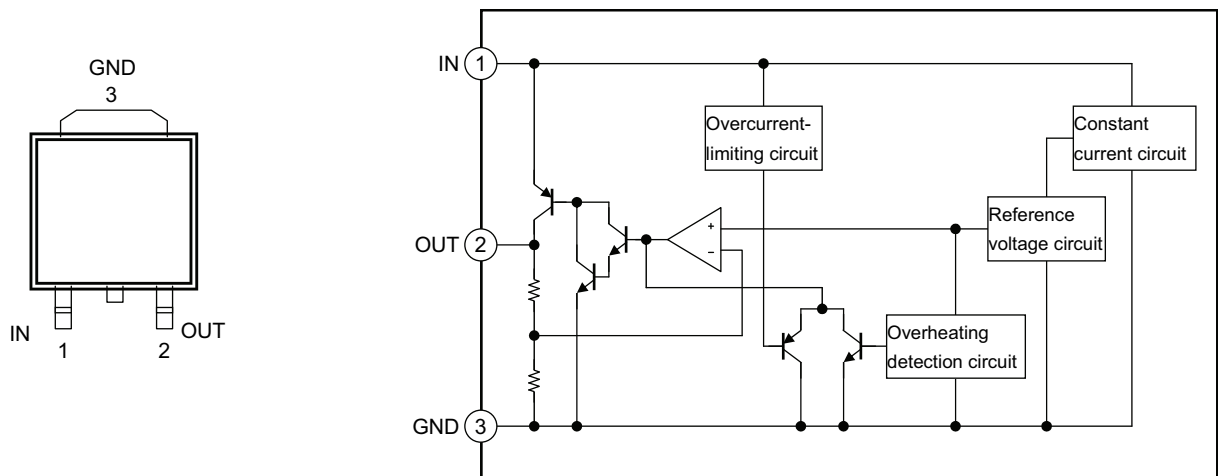


MAIN BOARD

IC209: REGULATOR TA48015F

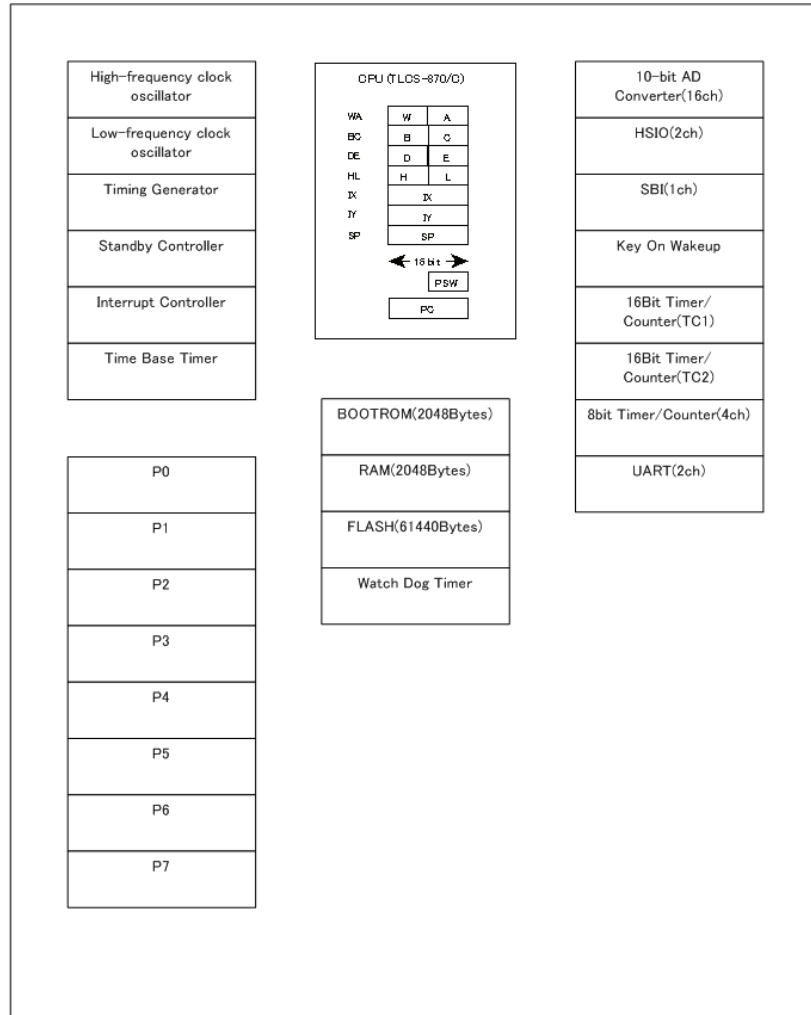
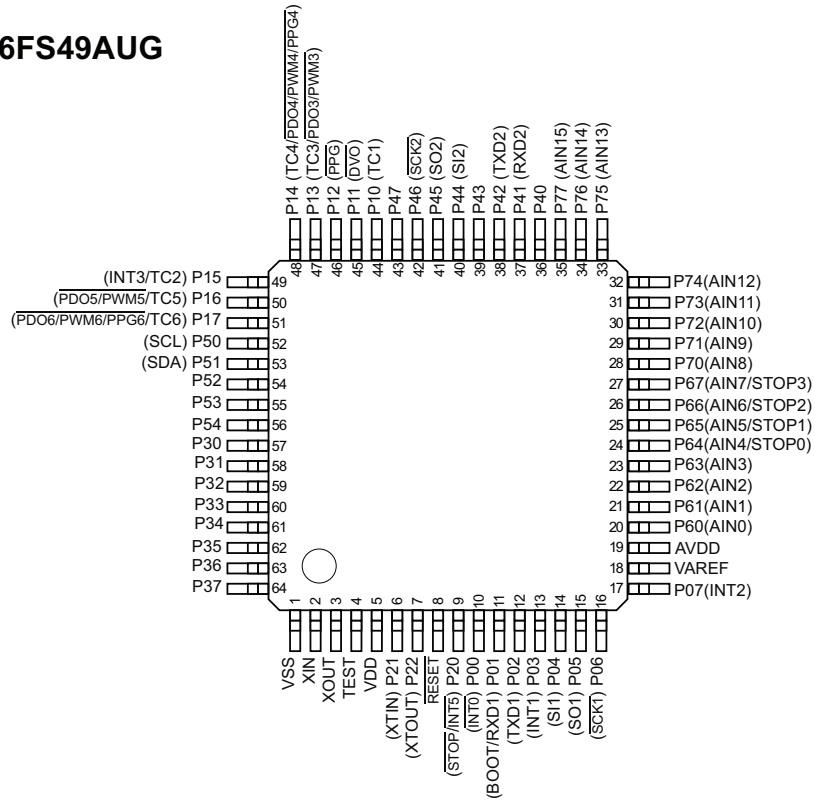
SERVO BOARD

IC3: REGULATOR TA48015F



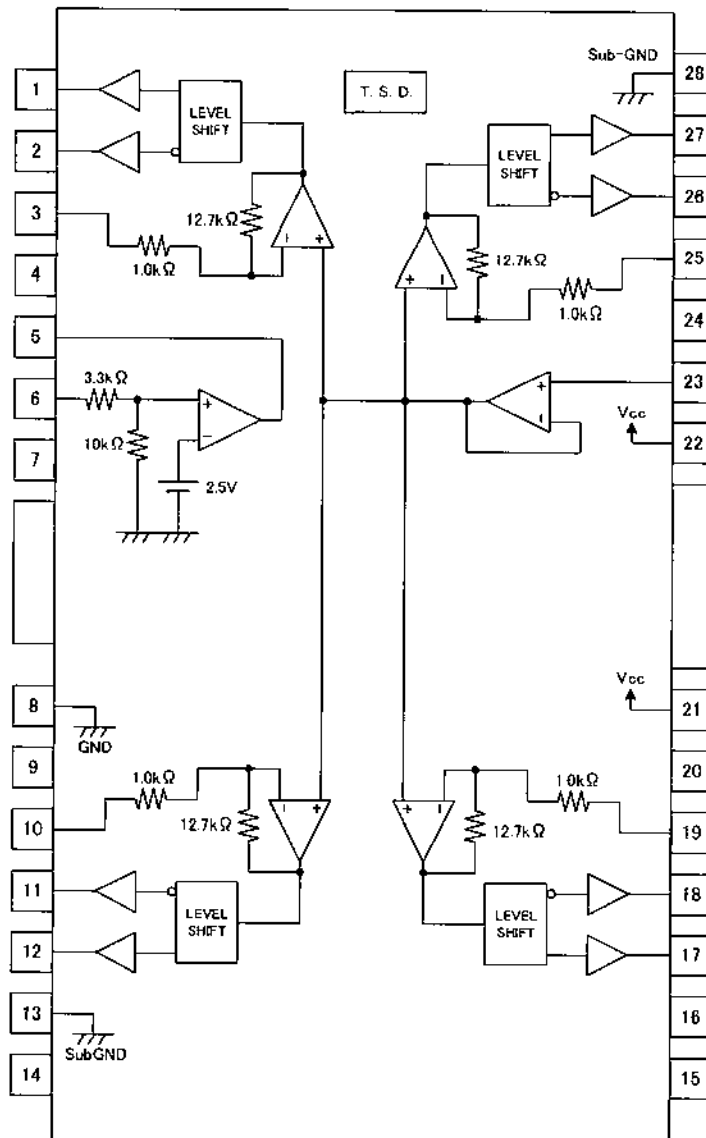
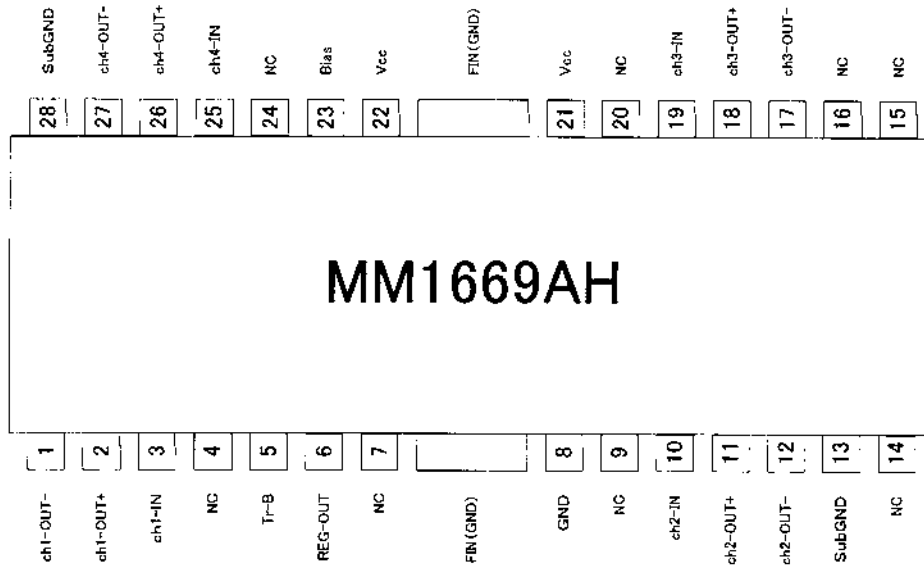
MAIN BOARD

IC206: MCU TMP86FS49AUG



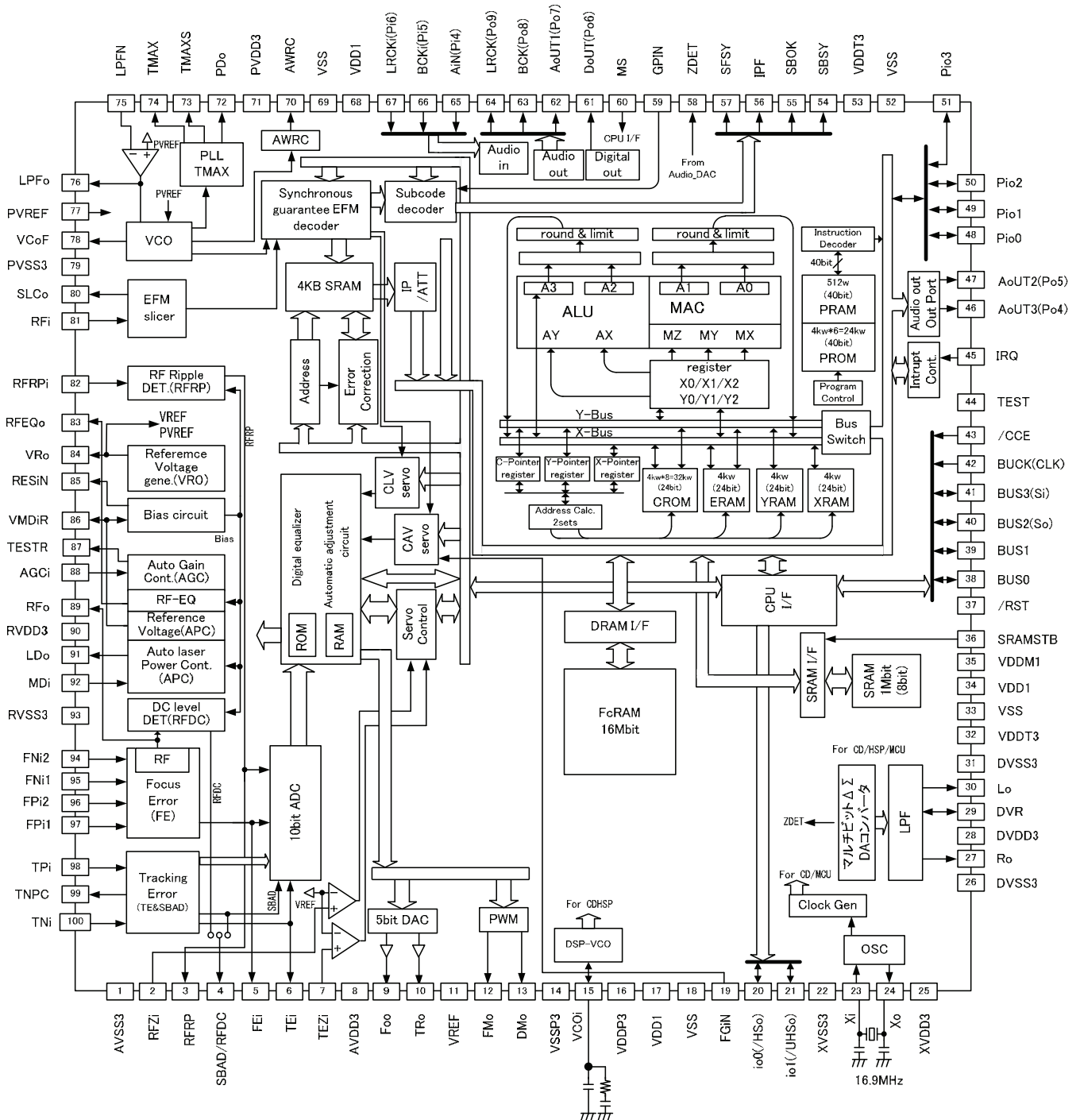
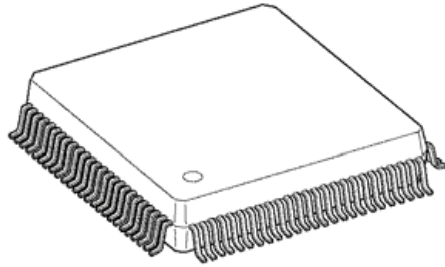
SERVO BOARD

U2: MOTOR DRV W/3.3V REG



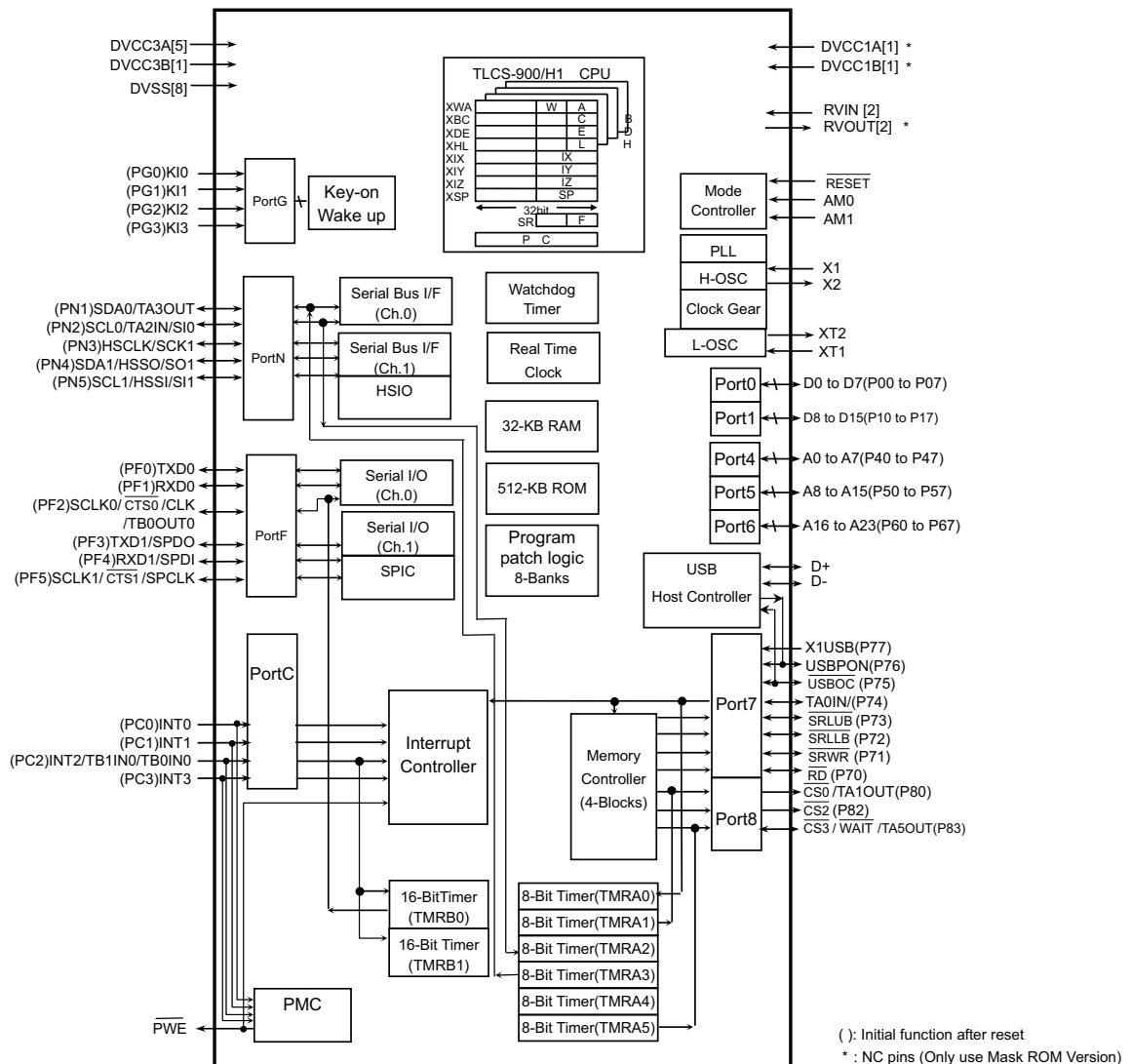
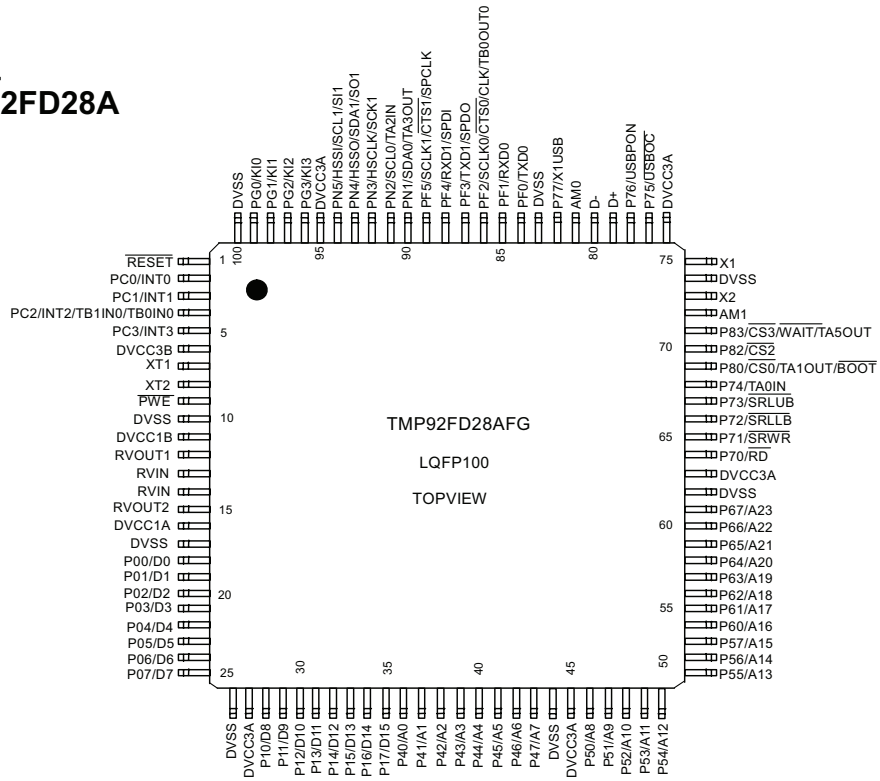
SERVO BOARD

IC1: DSP TC94A73MFG



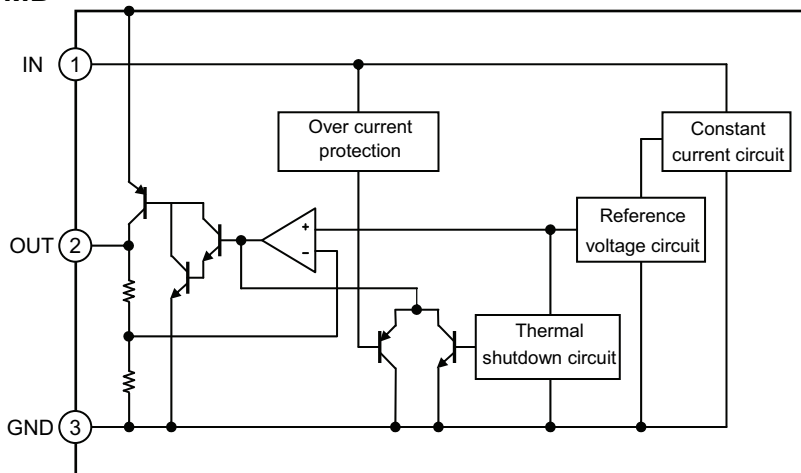
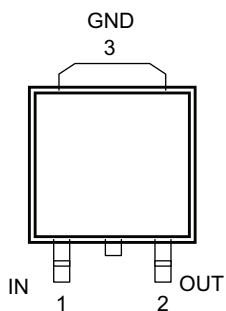
SERVO BOARD

IC5: MCU TMP92FD28A



SERVO BOARD

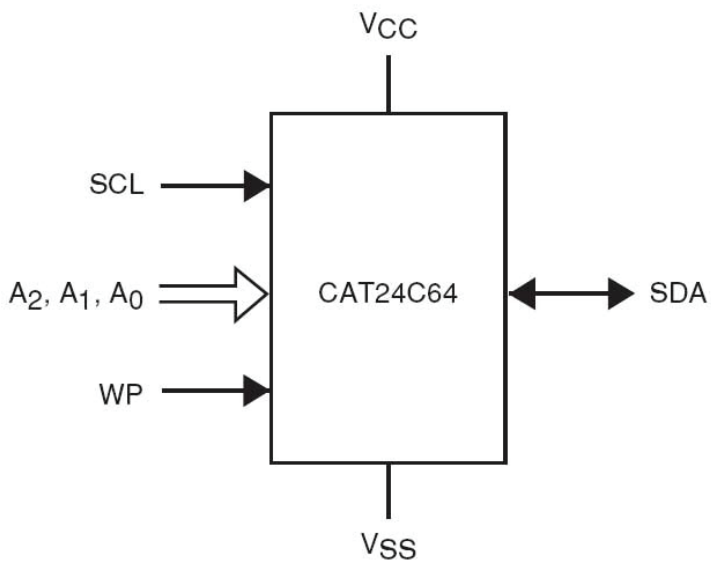
IC8: REGULATOR TA4805F SMD



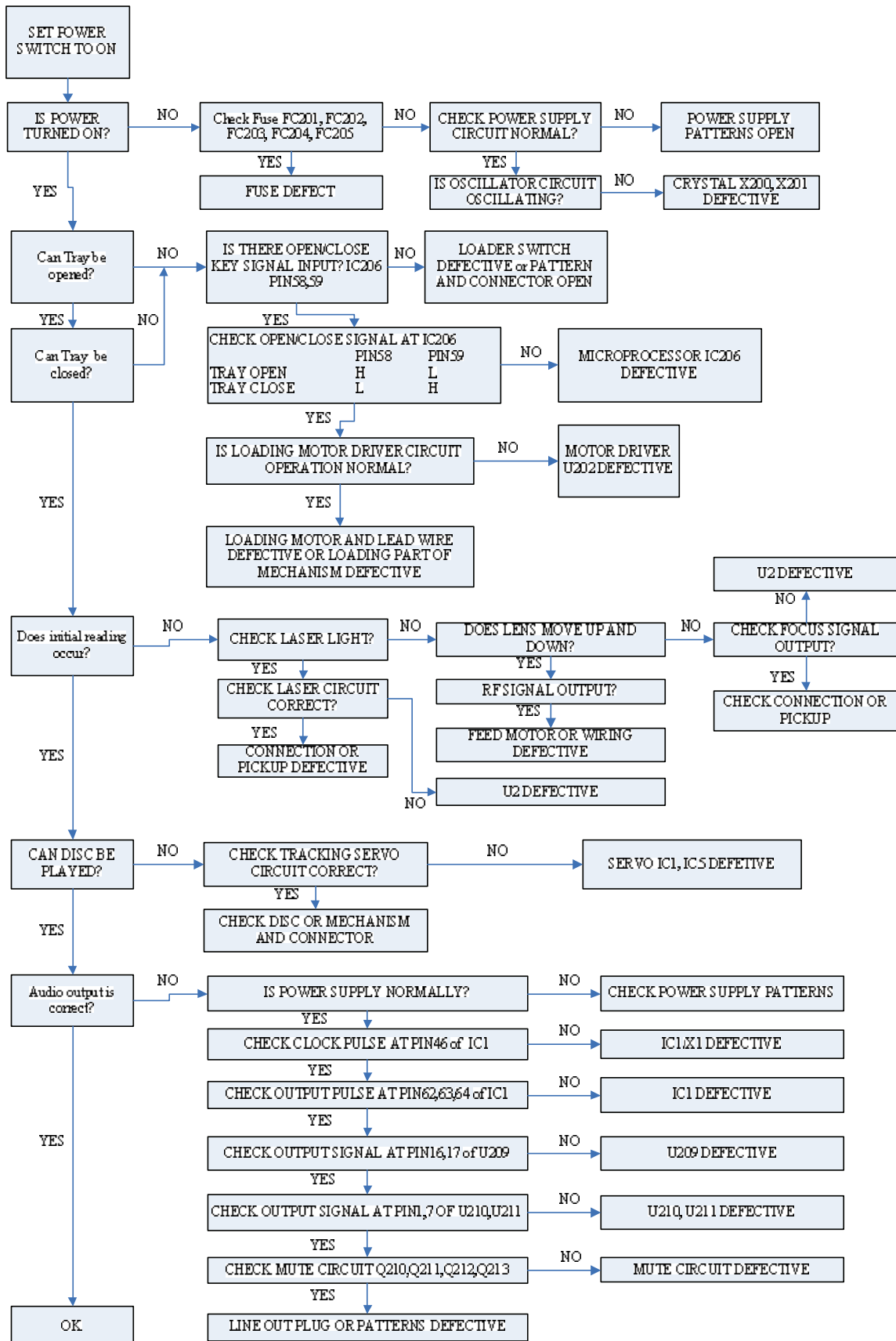
SERVO BOARD

IC10: MEMORY EPROM

A ₀	1	8	V _{CC}
A ₁	2	7	WP
A ₂	3	6	SCL
V _{SS}	4	5	SDA



TROUBLESHOOTING GUIDE



ELECTRICAL PARTS LIST

<u>Location</u>	<u>Part Number</u>	<u>Description</u>
KEY ASSY		
B	SVC-C54516+KEY	PCB ASSY KEY part of fascia
PC BOARD		
G	1725-971A+0002/A	PCB MAIN/KEY/SWITCH S/S
CAPACITOR		
C1, C101	150F-104K+P-AC	CC 50V 0.1uF 10%
C102	157D-106M+K-GII	CE 16V 10UF 20% RLT 4X5
C103	150F-104K+P-AC	CC 50V 0.1uF 10%
C104	157F-105M+K-GM	CE 50V 1U 20% RLT 4X7
C105	150F-104K+P-AC	CC 50V 0.1uF 10%
C106, C107	150F-470J+P-AC	CC 50V 47P 5% 0603 1x2
C2, C3, C4, C5	150F-100J+P-AC	CC 50V 10P 5% 0603
DIODE		
D103	4840-9233+3	DIODE FAST DAN202K
Z101	4837-5B61+2	DZ 1/2W 5.45-5.73 ROHM
WAFER/SOCKET		
CN102B	2102-040R+J01	WAFER 4P P2.0 90DEG
TRANSISTOR		
Q102	485C-1140+3	TR DTC114YKA 2216470R2
Q3, Q4	4860-0640+3	TR 3904 HFE 100-300 SM
RESISTOR		
R10	4720-330A+J	RMG 1/10W 33R 1% 0805
R103	4720-471A+J	RMG 1/10W 470R 1% 0805
R104, R105	4711-471A+2	RMF 1/8W 470R 1% AT
R106	4720-332A+J	RMG 1/10W 3.3K 1% 0805
R107	4720-751A+J	RMG 1/10W 750R 1% 0805
R108	4720-222A+J	RMG 1/10W 2.2K 1% 0805
R109	4711-682A+2	RMF 1/8W 6.8K 1% AT
R11	4720-470A+J	RMG 1/10W 47R 1% 0805
R110	4720-333A+J	RMG 1/10W 33K 1% 0805
R111	4715-751A+2	RMF 1/4W 750R 1% AT
R112	4720-222A+J	RMG 1/10W 2.2K 1% 0805
R113	4720-682A+J	RMG 1/10W 6.8K 1% 0805
R115	4711-473A+2	RMF 1/8W 47K 1% AT

<u>Location</u>	<u>Part Number</u>	<u>Description</u>
R12, R13, R14	4720-330A+J	RMG 1/10W 33R 1% 0805
R18, R19	4723-472A+P	RMG 1/16W 4.7K 1%.
R20	4723-471A+P-R	RMG 1/16W 470R 1% 0603
R8	4720-102A+J	RMG 1/10W 1K 1% 0805
<i>SWITCH</i>		
S101, S102, S103, S104, S105, S107, S108, S109	5200-4905+0	Replaces 5200-4861+0-01 TACT
<i>MISCELLANEOUS</i>		
CON101	2101-3235+0	CONNECTOR FFC 18P P1.25
L101	1808-0887+0	FERRITE BEAD 1.25X2 0805
M101, M102	4135-8341+0	HOLDER-VFD TINNED STEEL
M103	4154-4881+1	CUSHION 21X8X2
P220	7013-0800+0	WIRE-CONN 1P #18 UL1007
REM101	4151-9671+1	SPONGE 12X10X3
REMO101	4816-043T+3	IR SENSOR KSM-603TM2
VFD101	2460-2270+0/+3	DISPLAY-VFD MODULE
<u>MAIN ASSY</u>		
C *AH	SVC-C54516+MAIN	PCB ASSY MAIN
C *C	SVC-C54526+MAIN	PCB ASSY MAIN EU
<i>PC BOARD</i>		
H	1725-971A+0002/A	PCB MAIN/KEY/SWITCH S/S
<i>CAPACITOR</i>		
C10, C11	153F-224J+5-NLM	CM 50V 0.22UF 5% RL
C13, C14	153H-224K+9-NNMJ	CM 100V 0.22U 10% RB
C15	157D-106M+K-IU	CE 16V 10U 20% RLT 5X11
C201	153F-152J+K-JM	CM 50V 1500P 5% RLT
C203	157E-106M+K-IUE	CE 25V 10U 20% RLT P5.0
C204	150F-104K+P-AC	CC 50V 0.1uF 10%
C205	150F-105K+J-BD	CC 50V 1U 10% 0805
C208	157D-106M+K-IU	CE 16V 10U 20% RLT 5X11
C209	150F-104K+P-AC	CC 50V 0.1uF 10%
C210	153Z-224K+F-6O	CM 275V 0.22UF 10% RLS
C211	150T-222M+5-SK	CC 400V 2200P 20% RL
C212	15CH-220J+P-AC	CTC 0/60 22pF 5% 0603
C213	150F-104K+P-AC	CC 50V 0.1uF 10%
C214	157F-105M+K-GII	CE 50V 1UF 20% RLT 4X5
C215	150F-104K+P-AC	CC 50V 0.1uF 10%
C216	157D-107M+K-IUI	CE 16V 100UF 20% RLT
C217, C218	150F-104K+P-AC	CC 50V 0.1uF 10%

<u>Location</u>	<u>Part Number</u>	<u>Description</u>
C219	157D-477M+K-OVE	CE 16V 470U 20% RLT
C220	157D-107M+K-IUI	CE 16V 100UF 20% RLT
C221, C222	150F-104K+P-AC	CC 50V 0.1uF 10%
C223	157C-477M+K-OVE	CE 10V 470U 20% RLT
C224	150F-681J+P-AC	CC 50V 680P 5% 0603
C225	150F-103J+P-AC	CC 50V 0.01U 5% 0603
C226	157D-106M+K-IU	CE 16V 10U 20% RLT 5X11
C227	150F-104K+P-AC	CC 50V 0.1uF 10%
C228	150F-102J+P-AC	CC 50V 1000P 5% 0603 X7R
C229	150F-104K+P-AC	CC 50V 0.1uF 10%
C230	157Q-108M+K-X&TR	CE 35V 1000U 20% RLT
C231	150H-104K+P-AC	CC 100V 0.1U 10% 0603
C232	150F-104K+P-AC	CC 50V 0.1uF 10%
C233	157Q-108M+K-X&TR	CE 35V 1000U 20% RLT
C234	150F-104K+P-AC	CC 50V 0.1uF 10%
C235	157E-477M+K-OV	CE 25V 470U 20% RLT
C236	150F-104K+P-AC	CC 50V 0.1uF 10%
C237	157E-477M+K-OV	CE 25V 470U 20% RLT
C238	157D-477M+K-OVE	CE 16V 470U 20% RLT
C239	150F-104K+P-AC	CC 50V 0.1uF 10%
C240	157D-227M+K-OME	CE 16V 220U 20% RLT 8X7
C241, C242	150F-104K+P-AC	CC 50V 0.1uF 10%
C243	157E-478M+5-5\$TI	CE 25V 4700U 20% RL
C244	150F-104K+P-AC	CC 50V 0.1uF 10%
C245	157E-108M+K-S9E	CE 25V 1000U 20% RLT
C246	150F-104K+P-AC	CC 50V 0.1uF 10%
C247	157E-477M+K-OV	CE 25V 470U 20% RLT
C248	150F-104K+P-AC	CC 50V 0.1uF 10%
C249	157D-227M+K-OME	CE 16V 220U 20% RLT 8X7
C250	150F-104K+P-AC	CC 50V 0.1uF 10%
C251	157E-477M+K-OV	CE 25V 470U 20% RLT
C252	150F-104K+P-AC	CC 50V 0.1uF 10%
C253	157D-227M+K-OME	CE 16V 220U 20% RLT 8X7
C254	157I-107M+5-SX	CE 63V 100uF 20% RL
C255, C257	157F-476M+K-LUI	CE 50V 47UF 20% RLT
C258	157E-108M+K-S9E	CE 25V 1000U 20% RLT
C259	157E-476M+K-IUE	CE 25V 47U 20% RLT 5X11
C260	150F-104K+P-AC	CC 50V 0.1uF 10%
C261	157E-477M+K-OV	CE 25V 470U 20% RLT
C262	150F-104K+P-AC	CC 50V 0.1uF 10%
C263	157D-227M+K-OME	CE 16V 220U 20% RLT 8X7
C264, C265, C266, C267, C268, C269	157E-106M+K-IU	CE 25V 10U 20% RLT 5X11
C270, C271, C272, C273	157E-106M+K-IUE	CE 25V 10U 20% RLT P5.0
C274	150F-104K+P-AC	CC 50V 0.1uF 10%

<u>Location</u>	<u>Part Number</u>	<u>Description</u>
C277	157D-107M+K-LUNY	CE 16V 100U 20% RLT 6.3X
C278, C279	150F-104K+P-AC	CC 50V 0.1uF 10%
C280	150F-473K+P-AC	CC 50V 0.047uF 10% 0603
C283, C284	15CH-330J+P-AC	CTC 0/60 33pF 5% 0603
C285	157D-107M+K-LUNY	CE 16V 100U 20% RLT 6.3X
C286, C287, C288, C289, C290, C291, C292, C293, C294	150F-104K+P-AC	CC 50V 0.1uF 10%
C295	150F-101J+P-AC	CC 50V 100P 5% 0603/1608
C296	150F-561K+P-AC	CC 50V 560P 10%
C297, C298	150F-181K+P-AC	CC 50V 180P 10% 0603
C299	150F-561K+P-AC	CC 50V 560P 10%
C301, C302	150F-104K+P-AC	CC 50V 0.1uF 10%
C303	150F-101J+P-AC	CC 50V 100P 5% 0603/1608
C304	150F-561K+P-AC	CC 50V 560P 10%
C305, C306	150F-181K+P-AC	CC 50V 180P 10% 0603
C307	150F-561K+P-AC	CC 50V 560P 10%
C308, C309	150F-104K+P-AC	CC 50V 0.1uF 10%
C310	157C-107M+K-IURT	CE 10V 100U 20% RLT 5X11
C311	150F-104K+P-AC	CC 50V 0.1uF 10%
C312	157D-107M+K-IUI	CE 16V 100UF 20% RLT
C313	150F-104K+P-AC	CC 50V 0.1uF 10%
C314	157D-477M+K-OVE	CE 16V 470U 20% RLT
C315	150F-103J+P-AC	CC 50V 0.01U 5% 0603
C316	157D-107M+K-IUI	CE 16V 100UF 20% RLT
C317, C318, C319, C320	15CH-220J+P-AC	CTC 0/60 22pF 5% 0603
C321	150F-104K+P-AC	CC 50V 0.1uF 10%
C322	150F-104J+P-AC	CC 50V 0.1U 5% 0603
C323, C324	157F-105M+K-GME	CE 50V 1U 20% RLT 4X7
<i>DIODE</i>		
D1, D2	4804-1480+2	DIODE 1N4148T AT
D203	4837-4V76+2	DZ 1/2W 4.7V TEMIC AT
D204, D205	4840-0490+0	BRIDGE RECTIFIER RB152-B
D206	4840-1140+0	DZ 1.3W 3.3V 5% AT
D208	4840-0490+0	BRIDGE RECTIFIER RB152-B
D209, D210	4804-0010+2	DIODE W1N4001-A(WA) AT
D211	4837-30D1+2	DZ 1/2W 29.02-30.51V
D212	4804-1480+3	DIODE LL4148 SM
D213, D214	4804-1480+C	DIODE 1N4148M-A(WA) ATS
D217	4840-0490+0	BRIDGE RECTIFIER RB152-B
D218	4804-0010+2	DIODE W1N4001-A(WA) AT
D220TE	4804-1480+3	DIODE LL4148 SM
D3	4840-9050+3	DIODE SCHOTTKY SM330A
JMP20, JMP66	4804-1480+2	DIODE 1N4148T AT

<u>Location</u>	<u>Part Number</u>	<u>Description</u>
Q6	4802-02K0+3	DIODE SW 80V 300MA
WAFER/SOCKET		
J209	2101-9400+0	JM2422-3M WAFER
J215	2101-3149+0	CONNECTOR FFC 15P P1.25
J220	2102-030S+003	3P ST.WAFER P=2.0
J221	2102-080S+003	8P ST. WAFER P=2.0
JACK/SOCKET		
J214	2113-2036+0	PHONE JACK D315 BK
RCA202	2113-3203+0	SOCKET RCA COAXAL
COIL		
L2	1808-0680+0	FERRITE BEAD INDUCTOR
L202	1806-4041+0000	CHOKO COIL 7.7MH 10%
L203	1807-100Q+P	FERRITE COIL 10UH 15%
CRYSTAL		
X201	2300-2990+0	X'TAL 8MHZ HC-49/U-S
X202	2300-3306+0	CRYSTAL QUARTZ 32.768KHZ
RELAY		
RL202	4500-0762+0	RELAY 5VDC 10A SPDT
TRANSISTOR		
Q1, Q2	4860-0640+3	TR 3904 HFE 100-300 SM
Q205	4860-0700+K	TR 2SC1815-GR(T E2/F/T) R
Q206	4851-4570+5	TR PNP 2SB1457 TO-92 RL
Q207	4860-0700+K	TR 2SC1815-GR(T E2/F/T) R
Q208, Q209	4860-2390+K	TR 2N3906 RLT TO92
Q210, Q211, Q212, Q213	4860-1780+K	TR 2SD655F HFE600-1200
Q215	485B-9080+3	TR PNP 2SB908 2000
Q216	4852-458G+K	TR 2SC2458-GR(F, T) RLT
U205	4860-8050+0	REG NJM7809FA-#ZZZB
FUSE		
FC201 *C \triangle	5120-0050+0	FUSE T1.6A/250V 5X20
FC201 *AH \triangle	5120-0052+0	FUSE T1.6A 250V 5X20
FC202, FC204, FC205 *C \triangle	5120-0018+0	FUSE T1A 250V 5X20
FC202, FC204, FC205 *AH \triangle	5120-0020+0	FU T1A 250V UL/CSA 5X20
FC203 *C \triangle	5120-0035+0	FU T100MA 250V
FC203 *AH \triangle	5120-0036+0	FUSE 250V 100MA T 5X20

<u>Location</u>	<u>Part Number</u>	<u>Description</u>
RESISTOR		
R274, R275, R276, R278, R295, R298	4723-104A+P-R	RMG 1/16W 100K 1% 0603
R249	4723-152A+P-R	RMG 1/16W 1.5K 1% 0603
R248, R250	4723-182A+P-R	RMG 1/16W 1.8K 1% 0603
R326, R327, R332, R333	4723-332A+P-R	RMG 1/16W 3.3K 1% 0603
R277, R218	4723-471A+P-R	RMG 1/16W 470R 1% 0603
R288, R344, R345	4723-473A+P-R	RMG 1/16W 47K 1% 0603
JMP10	4711-102A+2	RMF 1/8W 1K 1% AT
R1	4723-472A+P	RMG 1/16W 4.7K 1%.
R15, R16, R17	4720-100A+J	RMG 1/10W 10R 1% 0805
R2	4723-472A+P	RMG 1/16W 4.7K 1%.
R201, R202, R203	4723-220A+P	RMG 1/16W 22R 1% 0603
R204	4723-472A+P	RMG 1/16W 4.7K 1%.
R205, R206, R207, R208	4723-220A+P	RMG 1/16W 22R 1% 0603
R209, R210	4723-472A+P	RMG 1/16W 4.7K 1%.
R212	4723-470A+P	RMG 1/16W 47R 1% 0603
R213, R214, R215, R216	4723-100A+P-R	RMG 1/16W 10R 1% 0603
R217	4723-121A+P-R	RMG 1/16W 120R 1% 0603
R218	4723-471A+P-R	RMG 1/16W 470R 1% 0603
R219	4723-121A+P-R	RMG 1/16W 120R 1% 0603
R220	4723-100A+P-R	RMG 1/16W 10R 1% 0603
R222	4723-103A+P-R	RMG 1/16W 10K 1% 0603
R241, R243	4711-102A+2	RMF 1/8W 1K 1% AT
R244	4723-221A+P	RMG 1/16W 220R 1%
R245	4723-152A+P-R	RMG 1/16W 1.5K 1% 0603
R246	4723-331A+P	RMG 1/16W 330R 1% 0603
R247	4723-103A+P-R	RMG 1/16W 10K 1% 0603
R25	4720-912A+J	RMG 1/10W 9.1K 1% 0805
R251, R252, R253	4723-103A+P-R	RMG 1/16W 10K 1% 0603
R254	4723-104A+P-R	RMG 1/16W 100K 1% 0603
R26	4720-153A+J	RMG 1/10W 15K 1% 0805
R260, R261	4723-103A+P-R	RMG 1/16W 10K 1% 0603
R262	4711-122A+2	RMF 1/8W 1.2K 1% AT
R263	4723-473A+P-R	RMG 1/16W 47K 1% 0603
R264	4723-202A+P	RMG 1/16W 2K 1%
R265, R266, R267, R272	4723-472A+P	RMG 1/16W 4.7K 1%.
R273	4723-103A+P-R	RMG 1/16W 10K 1% 0603
R279, R280	4723-101A+P	RMG 1/16W 100R 1% 0603
R281, R282	4723-272A+P	RMG 1/16W 2.7K 1%
R283, R284, R285, R286	4723-472A+P	RMG 1/16W 4.7K 1%.
R289	4711-102A+2	RMF 1/8W 1K 1% AT
R290	4711-103A+2	RMF 1/8W 10K 1% AT
R291, R292, R293, R294	4723-472A+P	RMG 1/16W 4.7K 1%.
R296, R297	4723-221A+P	RMG 1/16W 220R 1%

<u>Location</u>	<u>Part Number</u>	<u>Description</u>
R299	4723-331A+P	RMG 1/16W 330R 1% 0603
R3	4723-472A+P	RMG 1/16W 4.7K 1%.
R300	4723-103A+P-R	RMG 1/16W 10K 1% 0603
R302	4711-220A+2	RMF 1/8W 22R 1% AT
R303, R304, R305	4723-472A+P	RMG 1/16W 4.7K 1%.
R306	4711-472A+2	RMF 1/8W 4.7K 1% AT
R307	4723-101A+P	RMG 1/16W 100R 1% 0603
R308	4723-104A+P-R	RMG 1/16W 100K 1% 0603
R310, R311	4723-472A+P	RMG 1/16W 4.7K 1%.
R314, R315, R316, R317	4723-220A+P	RMG 1/16W 22R 1% 0603
R318	4723-103A+P-R	RMG 1/16W 10K 1% 0603
R319	4723-104A+P-R	RMG 1/16W 100K 1% 0603
R321	4723-103A+P-R	RMG 1/16W 10K 1% 0603
R322, R323	4723-562A+P	RMG 1/16W 5.6K 1%
R324, R325	4723-752A+P	RMG 1/16W 7.5K 1%
R328, R329	4723-562A+P	RMG 1/16W 5.6K 1%
R330, R331	4723-752A+P	RMG 1/16W 7.5K 1%
R334, R335	4711-472A+2	RMF 1/8W 4.7K 1% AT
R336, R337	4723-242A+P	RMG 1/16W 2.4K 1% 0603
R338	4723-103A+P-R	RMG 1/16W 10K 1% 0603
R339	4723-622A+P	RMG 1/16W 6.2K 1%
R340	4723-470A+P	RMG 1/16W 47R 1% 0603
R341	4723-622A+P	RMG 1/16W 6.2K 1%
R342	4723-470A+P	RMG 1/16W 47R 1% 0603
R343	4723-103A+P-R	RMG 1/16W 10K 1% 0603
R346, R347	4723-470A+P	RMG 1/16W 47R 1% 0603
R348, R349	4723-101A+P	RMG 1/16W 100R 1% 0603
R350, R351, R352, R353	4723-472A+P	RMG 1/16W 4.7K 1%.
R354	4723-331A+P	RMG 1/16W 330R 1% 0603
R355	4723-102A+P	RMG 1/16W 1K 1%
R356	4723-472A+P	RMG 1/16W 4.7K 1%.
R357	4720-100A+J	RMG 1/10W 10R 1% 0805
R4	4723-103A+P-R	RMG 1/16W 10K 1% 0603
R452	4711-103A+2	RMF 1/8W 10K 1% AT
R5	4723-222A+P	RMG 1/16W 2.2K 1%
R6	4723-472A+P	RMG 1/16W 4.7K 1%.
R7	4723-222A+P	RMG 1/16W 2.2K 1%
<i>IC</i>		
IC202	3130-2020+2	IC NJM7805FA-#ZZZB
IC203	3130-2520+2	IC NJM7812FA-#ZZZB
IC204, IC208	3132-2821+0	IC LM1117S-3.3
IC206	3132-6791+0-20	IC MCU TMP86FS49AUG
IC207	3132-6730+0	IC MEMORY 24C1024 SOIC8

<u>Location</u>	<u>Part Number</u>	<u>Description</u>
IC209	3132-6740+0	IC REGULATOR TA48015F
U1	3131-3970+0	IC DS1233DZ-5+T&R
U2	3130-2020+2	IC NJM7805FA-#ZZZB
U201	3131-9100+0	IC SN74HCU04D (SOP)
U202	3131-7990+0	IC TA7291SG(5/M)22240239
U203	3131-5160+0	IC DUAL VOLTAGE
U204	3130-3800+0	IC NJM7912FA-#ZZZB
U206, U207	3130-2020+2	IC NJM7805FA-#ZZZB
U208	3132-4401+0	IC REG LM1086IT-ADJ
U209	3131-9940+0	IC D/A CONVERTER WM8740E
U210, U211	3131-7620+0	IC OPA2134PA DIP OP AMP
U3	3131-9330+0	IC QUAD 2INPUT EXCLUSIVE
.	.	.
TRANSFORMER	.	.
T201	1806-4048+0007	TRANSFORMER PWR IN 115/
.	.	.
HEATSINK	.	.
H201	5400-1702+0	HEATSINK 23.5X17X50
H202, H203, H204, H205, H206	5400-9130+0	HEAT SINK FOR 7805 2438-
H207	5400-1702+0	HEATSINK 23.5X17X50
.	.	.
SCREW	.	.
Screw001	2954-3008+0000	SCREW B-TITE BIND M3X8
Screw002	2954-2606+0000	SCREWS BT 2.6X6
.	.	.
MISCELLANEOUS	.	.
AC201	7013-0710+0	WIRE-CONN 1P #20 UL1672
CON201	2101-3237+0	CONNECTOR FFC 18P P1.25
D201	4811-111A+3	LIGHT TX JST1111A
FC201, FC202, FC203, FC204, FC205	4131-9131+0	FUSE HOLDER 6.5MM PITCH
HT	2601-2604+0471	FIBRE WASHER M2.6X0.4X4.
IC206	3000-9812+0	BLANK LABEL (5X10)
IC206-A	312A-0410+01	SOFTWARE MCU V0.3.6 D
J210	2101-3233+0	WAFER SOCKET 11P P3.96
J216	2113-3320+0	JACK MONO 1P RED
J219	2101-3256+0	CONNECTOR FFC 6P P1.0
L204, L205	1808-0887+0	FERRITE BEAD 1.25X2 0805
P202, P203, P204, P205	4132-1061+0	SOLDER TAG
P218	2113-3328+0	PLUG DC 1P 100V 2A
RCA201	2113-2021+2	JACK RCA 1P ORANGE
.	.	.
.	.	.

<u>Location</u>	<u>Part Number</u>	<u>Description</u>
SWITCH ASSY		
D/E	SVC-C54516+SW	PCB ASSY SWITCH part of fascia
PC BOARD		
I	1725-971A+0002/A	PCB MAIN/KEY/SWITCH S/S
TRANSISTOR		
Q101	4860-0640+3	TR 3904 HFE 100-300 SM
RESISTOR		
R101	4720-472A+J	RMG 1/10W 4.7K 1% 0805
R102	4720-122A+J	RMG 1/10W 1.2K 1% 0805
R116	4720-471A+J	RMG 1/10W 470R 1% 0805
SWITCH		
S106	5200-4905+0	Replaces 5200-4861+0-01 TACT
LED		
D101	3700-2846+B	LED SP 2.9X5.4XL0.5 BLUE
D102	3700-2823+C	LED LOW CURRENT SP
MISCELLANEOUS		
CN102A	7013-0530+0	WIRE-CONN 4P P2.0 #28
SERVO ASSY		
A	SVC-C54516+SERVO	PCB ASSY SERVO
PC BOARD		
E	1725-970A+0001	PCB SERVO BOARD D/S FR-4
CAPACITOR		
C1, C10, C11, C12, C13, C14, C15, C16, C17, C18, C19, C2, C20, C21, C22, C23, C24, C25, C26, C27, C28, C29, C3	150F-104K+P-AC	CC 50V 0.1uF 10%
C30, C31	157D-226M+K-IU	CE 16V 22U 20% RLT 5x11
C32, C33, C34	157D-107M+K-LUTU	CE 16V 100U 20% RLT
C35	15CH-470J+P-AC	CTC 0/60 47PF 5% 0603
C36, C37, C38	150F-333J+P-AC	CC 50V 0.033UF 5% 0603
C39	157D-107M+K-LUTU	CE 16V 100U 20% RLT
C4	150F-104K+P-AC	CC 50V 0.1uF 10%
C40, C41, C42	150F-103J+P-AC	CC 50V 0.01U 5% 0603
C43, C44	150F-153J+P-AC	CC 50V 0.015U 5% 0603
C45	15CH-680J+P-AC	CTC 0/60 68PF 5% 0603

<u>Location</u>	<u>Part Number</u>	<u>Description</u>
C46	150F-102J+P-AC	CC 50V 1000P 5% 0603 X7R
C48	150F-750J+P-AC	CC 50V 75P 5% 0603
C49	150F-560J+P-AC	CC 50V 56P 5% 0603
C5	150F-104K+P-AC	CC 50V 0.1uF 10%
C50, C51	150F-473K+P-AC	CC 50V 0.047uF 10% 0603
C52	150F-222K+P-AC	CC 50V 2200pF 10% 0603 0
C53, C54	15CH-150J+P-AC	CTC 0/60 15pF 5% 0603
C55, C56, C57	157D-107M+K-LUTU	CE 16V 100U 20% RLT
C58	157E-477M+K-S5TU	CE 25V 470U 20% RLT
C59	150F-151J+P-AC	CC 50V 150P 5% 0603
C6	150F-153J+P-AC	CC 50V 0.015U 5% 0603
C60	150F-103J+P-AC	CC 50V 0.01U 5% 0603
C61	157D-226M+K-IU	CE 16V 22U 20% RLT 5x11
C62, C63	150F-471J+P-AC	CC 50V 470P 5% 0603
C65	150F-104K+P-AC	CC 50V 0.1uF 10%
C66	157D-107M+K-LUTU	CE 16V 100U 20% RLT
C68	150F-104K+P-AC	CC 50V 0.1uF 10%
C69	150F-100J+P-AC	CC 50V 10P 5% 0603
C7	150F-682K+P-AC	CC 50V 6800P 10%
C70	150F-100J+P-AC	CC 50V 10P 5% 0603
C71	157D-476M+K-IU	CE 16V 47U 20% RLT 5X11
C73, C74, C75	150F-104K+P-AC	CC 50V 0.1uF 10%
C76, C77	150F-220K+P-AC	CC 50V 22pF 10%
C78, C8, C80	150F-104K+P-AC	CC 50V 0.1uF 10%
C83, C84	150F-102J+P-AC	CC 50V 1000P 5% 0603 X7R
C85	150F-104K+P-AC	CC 50V 0.1uF 10%
C86	157D-107M+K-IUI	CE 16V 100UF 20% RLT
C89	157D-107M+K-LUTU	CE 16V 100U 20% RLT
C9, C90	150F-104K+P-AC	CC 50V 0.1uF 10%
C91	157D-107M+K-LUTU	CE 16V 100U 20% RLT
C93	157D-476M+K-IU	CE 16V 47U 20% RLT 5X11
C94	150F-104K+P-AC	CC 50V 0.1uF 10%
C95	157D-107M+K-LUTU	CE 16V 100U 20% RLT
C96	150F-104K+P-AC	CC 50V 0.1uF 10%
.	.	.
DIODE	.	.
D2	4804-0070+2	DIODE IN4007-F AT
D3	4804-1480+2	DIODE 1N4148T AT
.	.	.
WAFER/SOCKET	.	.
J1	2102-030S+003	3P ST.WAFER P=2.0
J2	2101-3149+0	CONNECTOR FFC 15P P1.25
J5	2102-080S+003	8P ST. WAFER P=2.0
J7	2102-050S+003	5P ST. WAFER P=2.0

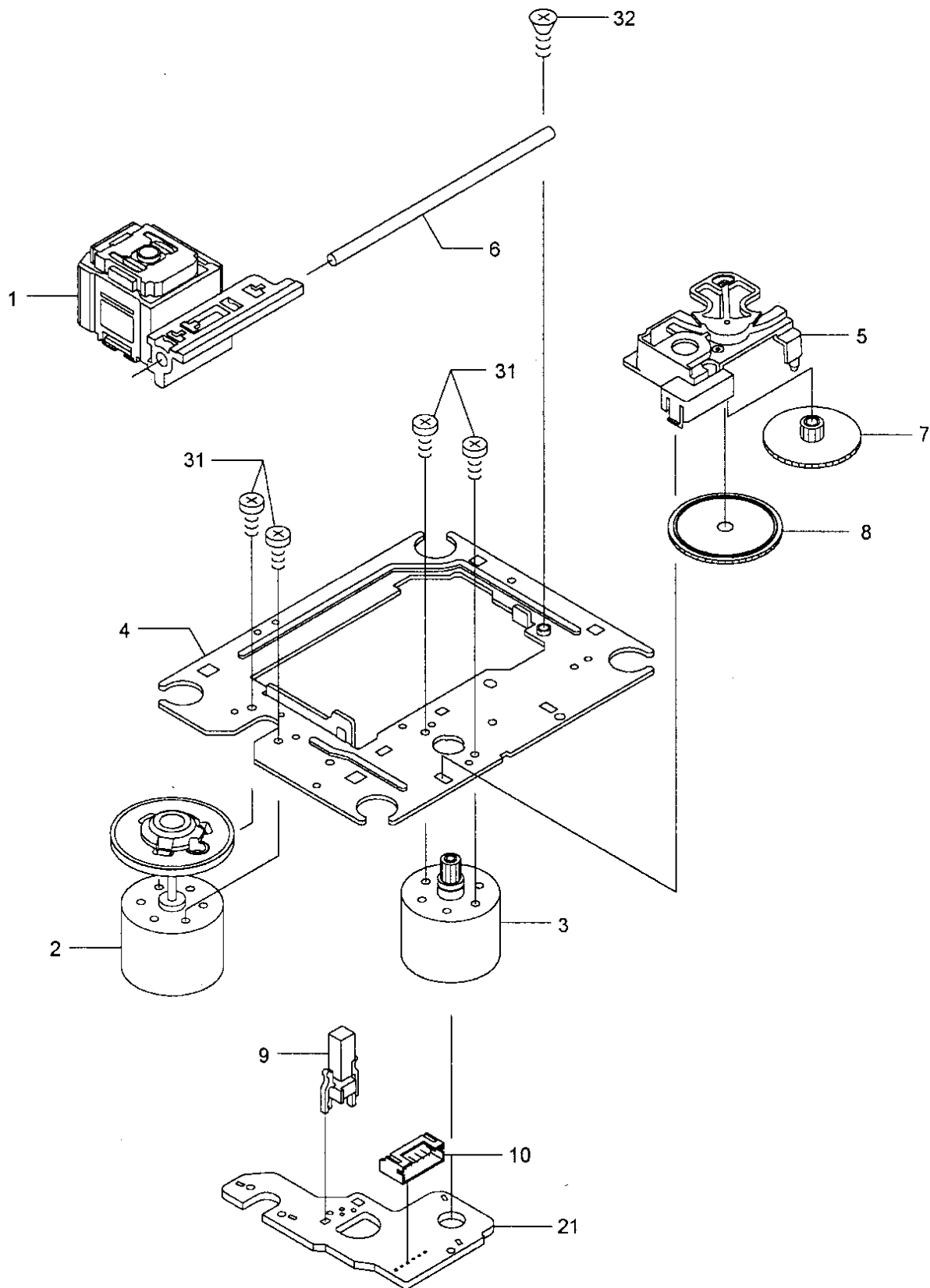
<u>Location</u>	<u>Part Number</u>	<u>Description</u>
JP8	2102-040S+003	WAFER 4P P2.0 STRAIGHT
SW1	2101-0661+0	SHUNT 2P P=2.54
SW1	2101-1495+0	WAFER 3PIN P=2.54 ST 6MM
JACK/SOCKET		
J4	2113-1837+0	NPLG-6P-134 25055150
CRYSTAL		
X1	2300-0110+0	CRYSTAL 16.9344 MHZ
X5	2300-3306+0	CRYSTAL QUARTZ 32.768KHZ
X6	2300-3317+0	CRYSTAL 9.0MHZ +/-30PPM
TRANSISTOR		
Q1	4858-56B0+3	TR BC856B SOT23 PHILIPS
Q2	4851-4570+5	TR PNP 2SB1457 TO-92 RL
Q3, Q4, Q6	4860-0700+K	TR 2SC1815-GR(T E2/F/T) R
Q7	4852-668Y+U	TR NPN 2SC2668 Y:100-200
RESISTOR		
R1	4723-100J+P-R	RMG 1/16W 10R 5% 0603
R12, R13, R14, R16, R17, R19, R20, R22, R27, R36, R39, R41, R42, R45, R47, R48, R49, R52, R57, R58, R59, R61, R66, R67, R69, R78, R79, R8, R80, R81, R82, R83, R84, R85, R86, R87, R88, R89, R90, R91, R92, R93, R94, R95	4723-103A+P-R	RMG 1/16W 10K 1% 0603
R10, R37, R38	4723-104A+P-R	RMG 1/16W 100K 1% 0603
R15	4723-223A+P-R	RMG 1/16W 22K 1% 0603
R73	4723-471A+P-R	RMG 1/16W 470R 1% 0603
R100, R101, R102, R103, R46, R5, R96, R97, R98, R99	4723-473A+P-R	RMG 1/16W 47K 1% 0603
R18	4723-560J+P-R	RMG 1/16W 56R 5% 0603
JP1, JP15	4723-000J+P-R	RMG 1/16W 0R 5% 0603
JP2	4723-332A+P-R	RMG 1/16W 3.3K 1% 0603
JP3, JP4	4723-000J+P-R	RMG 1/16W 0R 5% 0603
JP5	4723-472A+P	RMG 1/16W 4.7K 1%.
JP6	4723-133A+P-R	RMG 1/16W 13K 1% 0603
R11	4723-472A+P	RMG 1/16W 4.7K 1%.
R2	4723-154A+P-R	RMG 1/16W 150K 1% 0603
R21	4723-101A+P	RMG 1/16W 100R 1% 0603
R24	4723-000J+P-R	RMG 1/16W 0R 5% 0603
R25, R26	4723-270A+P	RMG 1/16W 27R 1% 0603
R29	4723-221A+P	RMG 1/16W 220R 1%
R3	4723-153A+P	RMG 1/16W 15K 1%
R30, R31, R32	4723-105A+P	RMG 1/16W 1M 1% 0603
R33, R34	4723-153A+P	RMG 1/16W 15K 1%
R35	4723-331A+P	RMG 1/16W 330R 1% 0603

<u>Location</u>	<u>Part Number</u>	<u>Description</u>
R4	4723-334J+P	RMG 1/16W 330K 5%
R40	4723-101A+P	RMG 1/16W 100R 1% 0603
R43, R44	4723-000J+P-R	RMG 1/16W 0R 5% 0603
R54	4723-000J+P-R	RMG 1/16W 0R 5% 0603
R55, R56	4723-101A+P	RMG 1/16W 100R 1% 0603
R6	4723-472A+P	RMG 1/16W 4.7K 1%.
R60	4723-220A+P	RMG 1/16W 22R 1% 0603
R62	4723-220A+P	RMG 1/16W 22R 1% 0603
R63	4723-472A+P	RMG 1/16W 4.7K 1%.
R64	4723-220A+P	RMG 1/16W 22R 1% 0603
R65	4723-391A+P	RMG 1/16W 390R 1%
R68	4723-152A+P-R	RMG 1/16W 1.5K 1% 0603
R7	4723-910A+P	RMG 1/16W 91R 1% 0603
R70	4723-102A+P	RMG 1/16W 1K 1%
R71	4723-103A+P-R	RMG 1/16W 10K 1% 0603
R72	4723-153A+P	RMG 1/16W 15K 1%
R75, R76, R77	4723-220A+P	RMG 1/16W 22R 1% 0603
R9	4723-562A+P	RMG 1/16W 5.6K 1%
IC		
IC1	3132-6711+0-20	IC DSP TC94A73MFG
IC10	3132-6761+0	IC MEMORY EPROM
IC3	3132-6740+0	IC REGULATOR TA48015F
IC5	3132-7331+0	IC MCU TMP92FD28A
IC77	3132-2821+0	IC LM1117S-3.3
IC8	3132-6720+0	IC REGULATOR TA4805F SMD
U2	3132-3231+0	IC MOTOR DRV W/3.3V REG
MISCELLANEOUS		
IC5	3000-9812+0	BLANK LABEL (5X10)
IC5-A	312A-0520+01	SOFTWARE SERVO MCU V4.0 D
J3	2101-3102+0	CONNECTOR FFC 16PIN P1.0
L1	1803-0055+0	INDUCTOR CHIP 10UH
X6	2300-3317+0	CRYSTAL 9.0MHZ +/-30PPM

- NOTE:**
- The components identified by \triangle mark are critical for risk of fire and electrical shock. Replace only with part number specified.
 - <*AH > : USA, Canadian model only.
 - <*C > : European model only.
 - Capacitors : CP-Polystyrene, CM-Mylar, CE-Electrolytic, CC-Ceramic, CTC-NPO.
 - Resistors : RMF-Metal Film, RCF-Carbon Film, RWR-Wirewound Metal Oxide.

MECHANISM EXPLODED VIEW

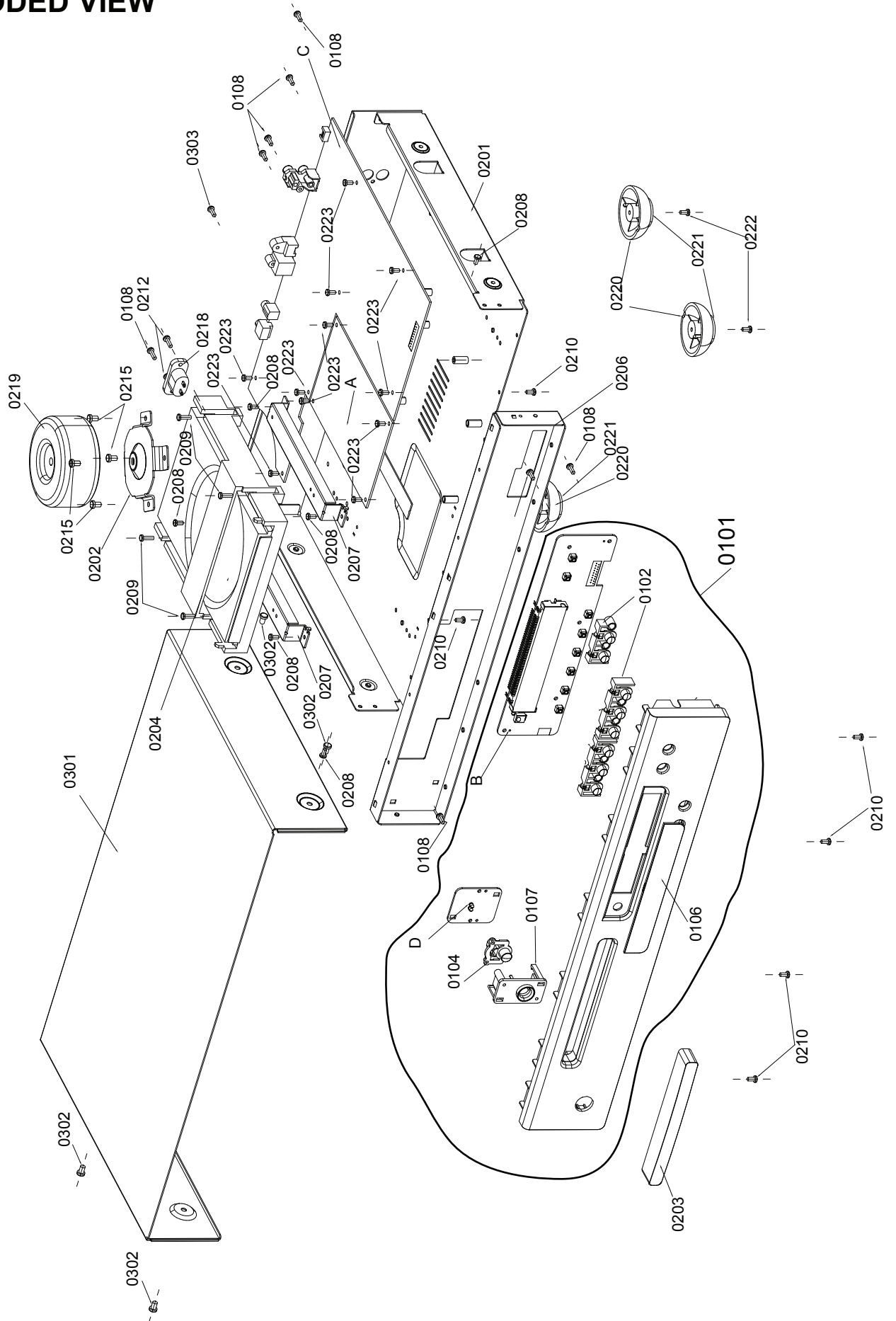
DA11VZ




MECHANISM EXPLODED VIEW PARTS LIST


<u>Item</u>	<u>Part No.</u>	<u>Description</u>	<u>Qty</u>
1	NSP	ASSY, LASER, CDM DA11VZ	1
2	NSP	ASSY, MOTOR, SPINDLE	1
3	NSP	ASSY, MOTOR, SLED	1
4	NSP	CHASSIS	1
5	NSP	COVER, REAR	1
6	NSP	SAHFT, SLIDE	1
7	NSP	GEAR, MIDDLE	1
8	NSP	GEAR, DRIVE	1
9	NSP	SWITCH, LEAF	1
10	NSP	CONNECTOR-6P	1
21	NSP	MOTOR	1
31	NSP	SPECIAL SCREW M2.0uP.0	4
32	NSP	SPECIAL SCREW M2.6u6.0	1

EXPLODED VIEW

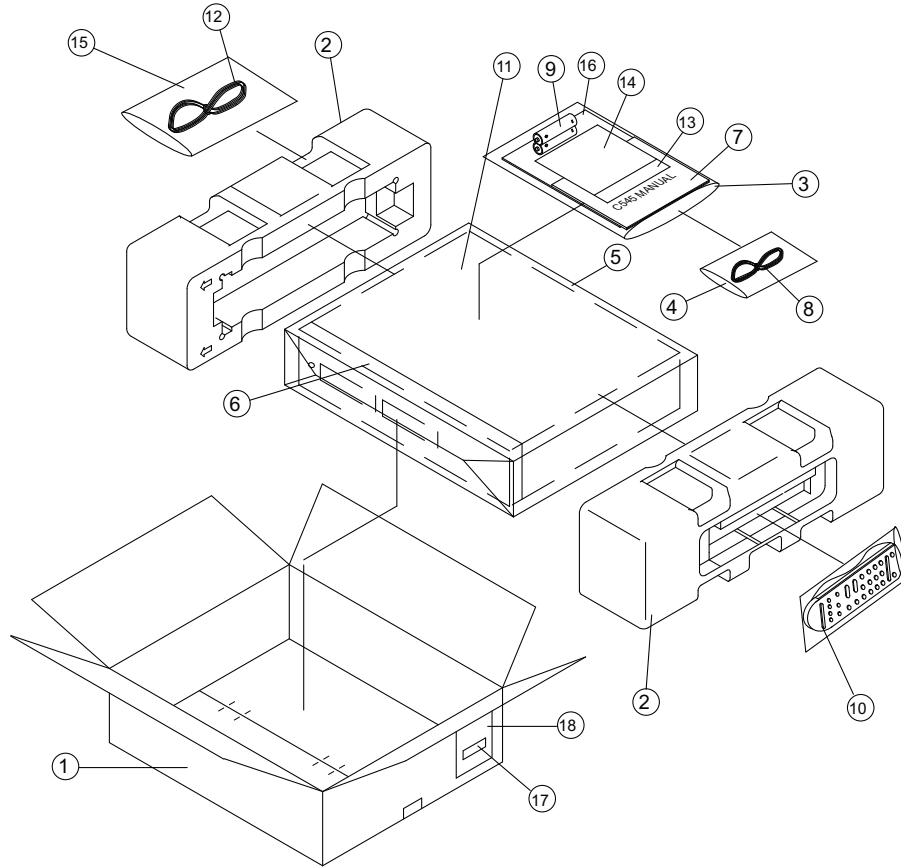


EXPLODED VIEW PARTS LIST

<u>Item</u>	<u>Part No.</u>	<u>Description</u>	<u>Q'ty</u>
0101 * Titanium	SVC-C54516+FASC	FRONT PANEL ASSEMBLY COMPLETE & cables	1
0101 * Grey	SVC-C54517+FASC	FRONT PANEL ASSEMBLY COMPLETE & cables	1
0102 * Titanium	2447-7202+0	BOTTOM TRIO INPUT FRONT NSP	3
0102 * Grey	2447-7201+0	BOTTOM TRIO INPUT FRONT NSP	3
0104 * Titanium	2447-7302+0	BUTTON-POWER NSP	1
0104 * Grey	2447-7301+0	BUTTON-POWER NSP	1
0106	3717-6811+0	LENS-DISPLAY NSP	1
0107 * Titanium	3717-7011+0	LENS FRONT NSP	1
0107 * Grey	3717-7012+0	LENS FRONT NSP	1
0108	2954-3008+3000	SCREW B-TITE BIND M3X8	13
0201 * AH	1402-352P+2	CHASSIS MAIN - For US Ver.	1
0201 * C	1402-352N+2	CHASSIS MAIN - For EU Ver.	1
0202	4104-3721+0	TRANSFORMER BRACKET	1
0203 * Titanium	1468-4002+0	CD DOOR	1
0203 * Grey	1468-4001+0	CD DOOR	1
0204	SVC-C54516+MECH	DECK-CD CDM DA11VZ	1
	SVC-C56516+MECH		
0206	4135-8331+1	STRIP-TOP	1
0207	4135-8351+0	BRACKET-CD	2
0208	2904-3005+0000	SCREW M3X5	10
0209	2904-3010+0000	SCREW M3X10 (BLK)	4
0210 * Titanium	2904-3005+4000	SCREW M3X5	6
0210 * Grey	2904-3005+3000	SCREW M3X5	6
0212	2904-3008+3000	SCREW M3X8 (BLK)	2
0215	2900-4006+3010	SCREW M4X6	4
0218	2113-3317+0	SOCKET AC 2PIN 250V 7A	1
0219 	1806-4047+0000	TRANSFORMER PWR	1
0220 & 0221	SVC-C54516+FOOT	PLASTIC FOOT W/RUBBER ATTACHED	4
0222	2904-3005+3000	SCREW M3X5 BINDING (BLK)	4
0223	2904-3006+0000	SCREW M3X6	11
0301 * Titanium	1402-3532+0	TOP COVER	1
0301 * Grey	1402-3534+0	TOP COVER	4
0302 * Titanium	2900-4006+2010	SCREW M4X6	4
0302 * Grey	2900-4006+3010	SCREW M4X6	4
0303 * Titanium	2954-3010+4000	SCREW B-TITE BIND HEAD	1
0303 * Grey	2954-3008+3000	SCREW B-TITE BIND HEAD	4
A	SVC-C54516+SERVO	PCB ASSY SERVO	1
B	SVC-C54516+KEY	PCB ASSY KEY NSP PART OF 0101 ABOVE	1
C * AH	SVC-C54516+MAIN	PCB ASSY MAIN	1
C * C	SVC-C54526+MAIN	PCB ASSY MAIN	1
D	SVC-C54516+SW	PCB ASSY SWITCH NSP PART OF 0101 ABOVE	1

- NOTE:**
- The components identified by  mark are critical for risk of fire and electrical shock. Replace only with part number specified.
 - <*AH > : USA, Canadian model only.
 - <*C > : European model only.

PACKING DIAGRAM



ITEM	PART NO.	DESCRIPTION	Q'TY
1.	1438-5601+0-2	CARTON	1
2.	1490-4981+1	POLYFORM ENDCAP	2
3.	1497-1062+0	POLYBAG MANUAL	1
4.	1497-1302+0	POLYBAG	1
5.	1497-1332+1	POLYBAG	1
6.	4201-0010+0	NON WOVEN CLOTH BAG	1
7.	4115-0015+0	CD MANUAL	1
8.	2103-7302+1	RCA PLUG CABLE	1
9.	4060-0930+0	GREENCELL AA SIZE GP15G	2
10.	8912-0100+0	REMOTE CONTROL	1
11.	1450-2520+0	WHITE PAPER	1
12.	7012-9331+0	CORD-AC UL 125V 7A - AH VERSION	1
12.	7012-9301+0	CORD-AC GS 250V 2.5A - C VERSION	1
13.	3030-1057+2	SAFETY INSTRUCTION SHEET (AH VERSION ONLY)	1
14.	3030-1225+1	WARRANTY CARD (AH VERSION ONLY)	1
15.	1497-5232+0	POLYBAG	1
16.	3050-4511+1	QUICK-START GUIDE SHEET	1
17.	3001-2288+0	LABEL SERIAL NO.	3
18.	3001-2290+0	LABEL BARCODE AH TITANIUM	2
18.	3001-2291+0	LABEL BARCODE AH GREY	2
18.	3001-2289+0	LABEL BARCODE C TITANIUM	2
18.	3001-2292+0	LABEL BARCODE C GREY	2

Proprietary information for servicing purposes only. The information herein may not be used commercially without the prior written agreement of NAD Electronics International, Toronto, Canada.

SERVICE MANUAL

C 545BEE

COMPACT
DISC PLAYER

© NAD 2012

NAD ELECTRONICS INTERNATIONAL
TORONTO